

8 – NOTES FOR THE SERVICE TECHNICIAN



The following chapters 8.1, 8.2, 8.2.1, 8.2.2, 8.2.3 are for the exclusive use of qualified and expert maintenance technicians, who operate in compliance with the safety regulations. In particular, during maintenance operations the actuation source must be stopped and it must be not be possible to start it

8.1 - DISASSEMBLING THE HYDRAULIC PART

Before disassembly discharge any pressure present inside the pump, wait for it to cool, empty it and dispose of the liquid contained appropriately; if the pump is used for dangerous substances comply with the safety regulations in force for handling of these substances.

The references below can be found in the figures at the beginning of the manual on the basis of the indications in paragraph 3.2.

- Unscrew the screws of the cover (ref. 11).
- Remove the cover.
- Remove the O-ring (ref. 12).
- Extract the impeller (ref. 13) as follows:
brass models type 20-25-30-35-40: the impeller slides on the shaft (ref. 51); can be extracted simply using your fingers;
brass models type 50 and all stainless steel models (fig. 6): the impeller is forced onto the shaft; to remove it use an extractor with appropriately shaped claws; the hub of the impeller is provided with two projections for this purpose; for stainless steel models type 20 use the two projections present on the side of the pump body for extraction.
- Remove the tab (ref. 15).
- Extract the pump body (ref. 10) from the shaft.
- (Only for brass models type 20) extract the counterflange (ref. 5) from the pump body and remove the gasket (ref. 8).

8.2 - ASSEMBLING THE HYDRAULIC PART

(For brass models type 20, first insert the counterflange ref. 5 and position the gasket ref. 8);

- Insert the tab (ref. 15) in its seat
 - Insert the pump body (ref. 10) along the shaft (ref. 51)
 - Position the O-ring (ref. 12) in its seat on the pump body
- Models with sliding impeller**
- Insert the impeller (ref. 13) over the shaft using your fingers.
- Models with forced impeller**
- The impeller is inserted using a hollow bar with internal diameter slightly larger than that of the shaft.
- To avoid damaging the bearings, rest the back of the shaft on a soft metal surface.
 - Striking the impeller (ref. 13) in a central position using the hollow bar and a hammer, move it towards the wearing surface, leaving 0.1 mm clearance.
 - Fit the cover (ref. 11) and insert the screws, gradually and alternately tightening opposite screws.
 - Strike the back of the shaft with a punch and hammer.
 - Check that the impeller rotates freely.

8.2.1 – REPLACING THE LIP SEAL (brass models type 20 and 50)

- The reference below refer to figs. 1a and 1b.
- Remove the worn lip seal (ref. 67d) from its seat (located in the counterflange ref. 5 for models type 20 and in the pump body ref. 10 for models type 50) striking it using a solid drift of suitable dimensions as shown in fig. 18 (type 20) or fig. 20 (type 50).
 - Take an identical new lip seal and place it against the mouth of its seat as shown in fig. 19 (type 20) or fig. 21 (type 50) facing in the correct direction (the spring must be facing the inside of the pump).
 - Insert the lip seal in its seat by striking it using a solid drift with a slightly smaller diameter to that of the outer diameter of the lip seal until it has been completely inserted.

8.2.2 - REPLACING THE LIP SEAL (brass models type 25-30-35-40)

- The pump body is produced in two pieces: pump body (ref. 10) and rear internal part (ref. 65), which is inserted into the pump body (fig. 1a shows the two parts disassembled, fig. 12 after assembly). To replace the lip seal (ref. 67d) the rear internal part must be extracted from the pump body.
- Place the edge of the pump body on two surfaces made of soft material (i.e. wood or aluminium) or any other material, provided that two pieces of paper are placed between surface and body (fig. 12).
 - Take a solid drift (with diameter 28-29 mm and length greater than 60 mm) and strike the lip seal until it is extracted from its seat (fig. 13).
 - Place the lip seal against the edge of the rear internal part and strike it again with the solid drift and hammer; the internal part will be removed together with the lip seal (fig. 14).
 - (Fig. 15) Place the pump body on a surface; take an identical new lip seal and place it against the mouth of its seat, facing in the correct direction (the spring must be facing the inside of the pump) and insert it by striking it using a solid drift with a slightly smaller diameter to that of the outer diameter of the lip seal until it has been completely inserted.
 - Place the rear internal part against the body facing in the correct direction (fig. 16).
 - Insert the internal part into the body using a solid drift of appropriate dimensions (fig. 17).

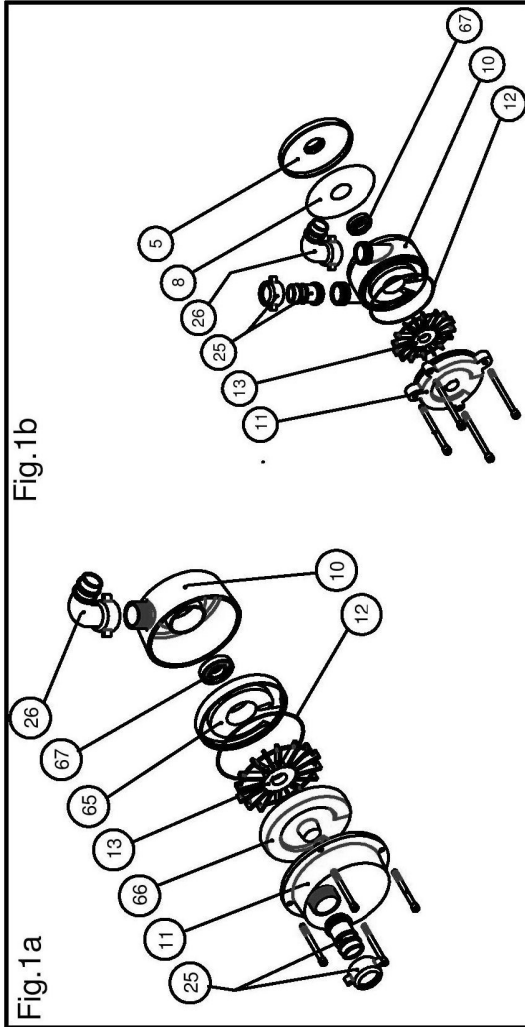
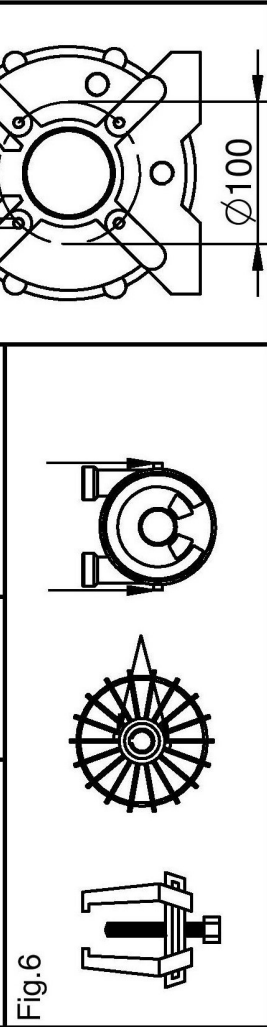
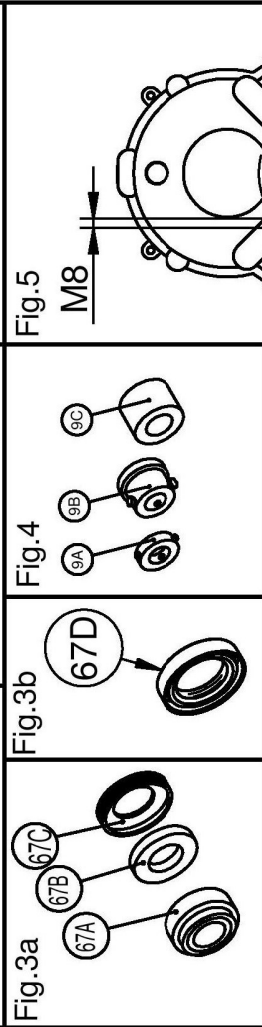


Fig.2

I/AL/IFE/ALFE/IFM/ALFM/BS/ALBS	X/ALX		
MOD.	C	B	40/50
25	96	28	
30/35/40	125	46	
50	140	54	



must assess these risks and if necessary provide appropriate protection from jets of liquid (i.e. screens) and collection vessels in a suitable position. Liquid from leakages must be removed and disposed of correctly and safely.

6 - CERTIFICATION

The company TELLARINI POMPE s.n.c di G. Tellarini & C. with headquarters in via Majorana, 4 - Lugo (RA) - Italy, classifies the side channel self-priming pumps type:

120	AL 20	BS 30	ALBS 40	X 40	ALX 40	IFE 25	ALFE 25	IFM 25	ALFM 25
125	AL 25	BS 40	ALBS 50	X 50	ALX 50	IFE 30	ALFE 40	IFM 30	ALFM 40
130	AL 40	BS 50				IFE 40	ALFE 50	IFM 40	ALFM 50
135	AL 50					IFE 50		IFM 50	
140									
150									

as "components" as they do not have a specific intended purpose. Therefore, they do not fall within the field of application of the Machinery Directive 2006/42/EC. Any person using these components to produce machinery or partly completed machinery must comply with the safety requirements established by the Machinery Directive 2006/42/EC.

Lugo, 30/08/2012

The legal representative
Giovanni Tellarini



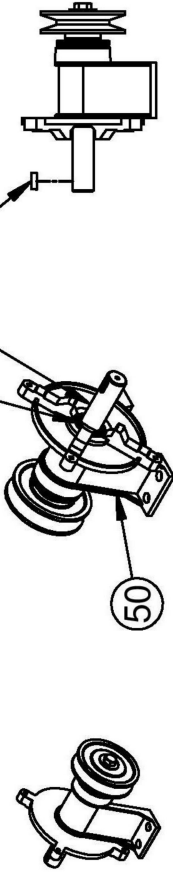
7 - WARRANTY

The pump is covered by warranty for a period of two years from the date of purchase by the final user. In the absence of documentation proving the date, the warranty period starts from July 1st of the year of manufacture, indicated on the ratings plate. The warranty expires in any case after 3 years from July 1st of the year of manufacture.

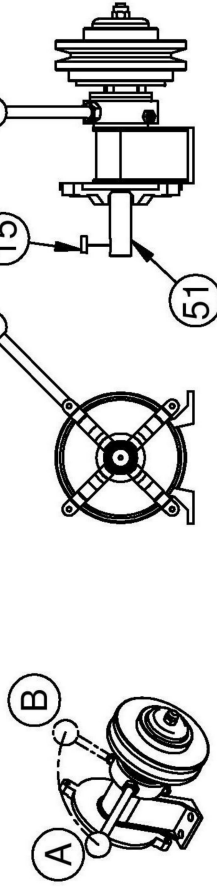
The warranty covers all manufacturing and material defects confirmed by the manufacturer and consists in the repair or free replacement of the pump by the manufacturer. Any repairs performed under warranty do not modify the expiry date of this warranty.

The warranty does not cover damages caused by improper use, by faulty electrical supply, by use that is not in conformity with the instructions contained in the "user and maintenance manual". Moreover, it does not cover any damages caused or tampering performed by the user; maintenance operations performed incorrectly (also with the use of non-original spare parts) and wear related to normal use (in particular, seals, bearings).

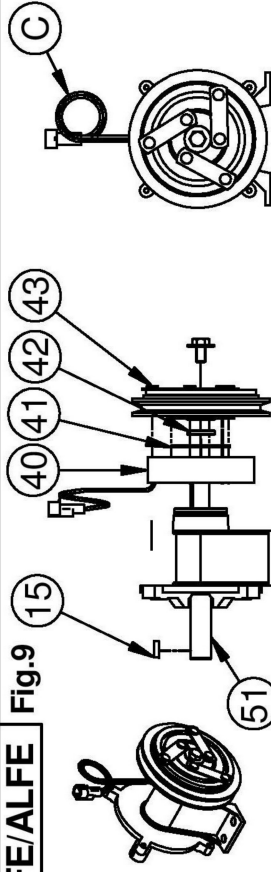
I / AL Fig.7



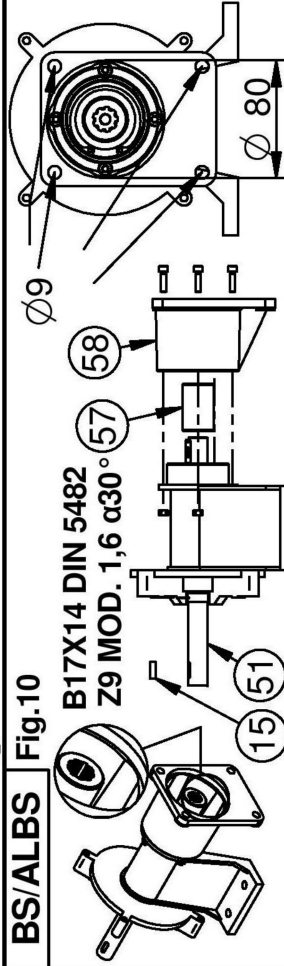
IFM/ALFM Fig.8



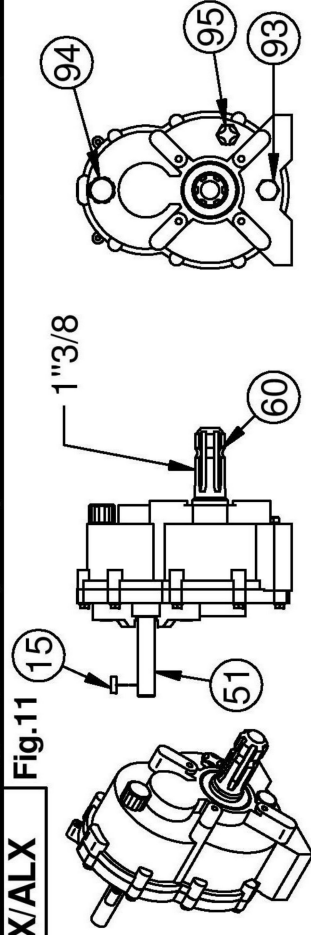
IFE/ALFE Fig.9



BS/ALBS Fig.10



X/ALX Fig.11



4.4 WASHING

! Before removing the hoses discharge any pressure present inside the pump. If accessible surfaces are hot (see Chapter 5.1) wait for the pump to cool before handling it or use appropriate gloves.

If the pump is used for dangerous substances, the user is responsible for defining the procedures for handling, washing, storing and disposal of waste fluids in compliance with the safety regulations in force for the specific substances treated.

If the pumped liquid has no particular problems, (i.e. water, sea water or soap), in the event of an extended period of disuse, wash the inner walls of the pump by pumping clean water, empty completely, dry the outer surfaces with a soft cloth.

Cleansing procedure

This allows deeper cleaning than the procedure described previously and can be used in many cases. In uses with foods it is performed during installation and as part of the wash cycle.

- Prepare a detergent solution in a receptacle (i.e. common dishwashing liquid diluted with clean hot water at 40-50°C).
- Insert the suction and discharge hoses of the pump into the receptacle and recirculate the liquid for 5 minutes.
- Pump clean water until complete rinsing is obtained.

Use with slightly perishable food substances (vegetable oil, wine, vinegar)

Before and after use:

- Carry out the cleansing procedure;
- use the pump to recirculate a suitable sanitizing and disinfecting solution (i.e. based on peracetic acid) for an adequate time;
- rinse the inside of the pump body by pumping clean water until the sanitizing and disinfecting solution has been completely eliminated.
- Before use, perform the start-up procedure, discarding a first fraction of liquid. Dispose with the fluid used for washing and the discarded liquid from start-up in compliance with the current provisions of law.
- In the specific case of use with vegetable oils, if the pump is to remain in disuse for a short period of time and subsequently used again for the same type of oil, it can simply be emptied and the ports capped.

Use with highly perishable food substances (such as milk)

Wash before use, at each time interval established by the HACCP protocol applied and after use, disassembling the pump, cleansing and disinfecting its parts with methods depending on the type of liquid. This operation must be carried out by qualified personnel experienced in performing the pump disassembly and reassembly procedures.

4.5 USE OF THE BY-PASS (optional device)

The by-pass is a device to adjust capacity and head of the pump and is located on the outside in the form of a knob; it can be rotated counter-clockwise to reduce the maximum capacity to around half and the maximum head by around a quarter. During the priming stage close the by-pass by rotating the knob completely clockwise, as priming capacity is greatly reduced with the by-pass open.

! If the by-pass is fitted, assess the residual risk involved by activating it with the pump operating and, if necessary, provide protective screens.

4.6 – DEMOLITION

At the end of its useful life the pump must be demolished, in strict compliance with the standards in force in the country of use. Do not neglect any residue of liquid present inside the pump body.

Only for series IFE and ALIFE in EU countries:

The pump belongs to the category of electric and electronic equipment (EEE). The symbol shown here means that it cannot be disposed of as domestic waste. At the end of its useful life the owner must deliver the pump to a WEEE collection point, where it will be subjected to recycling. For more information, contact the relevant local authority department or the store from which the pump was purchased.

5 – INFORMATION ON FURTHER RISKS

5.1 - TEMPERATURE OF ACCESSIBLE SURFACES

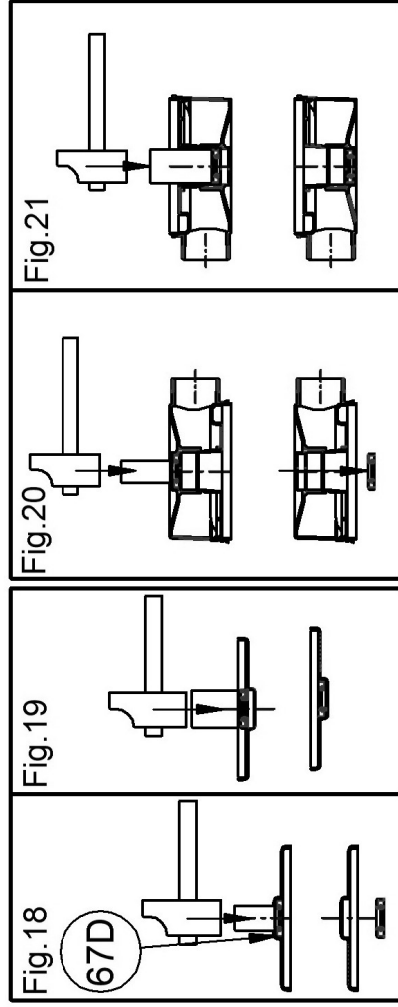
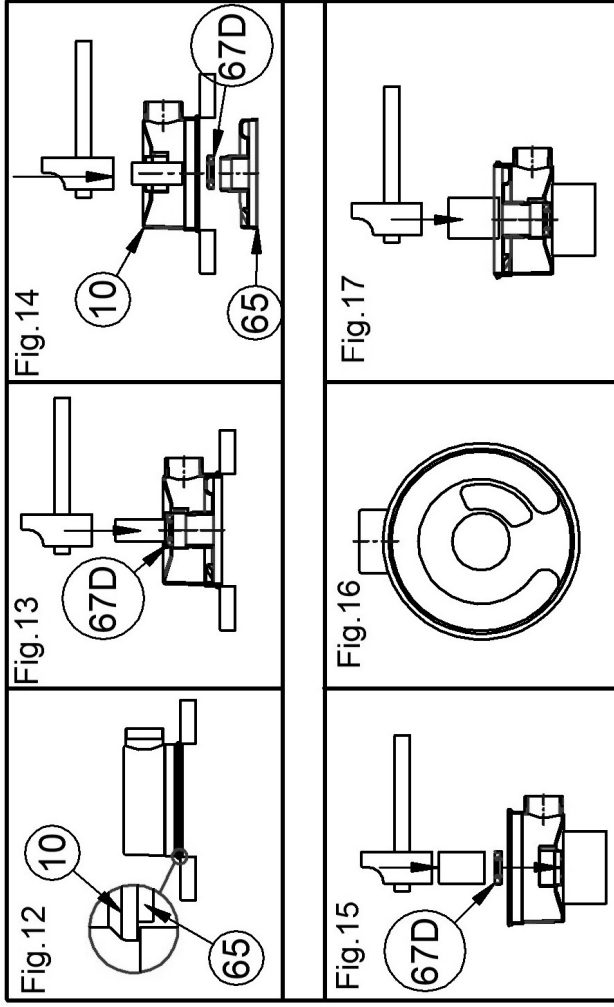
The outer surfaces of the pumping body reach the temperature of the pumped liquid, and can therefore be very hot or very cold. In the event of these temperatures representing a danger, the user must adopt suitable protective measures (enclose the pump with barriers, handle using suitable gloves).



5.2 - RISKS CAUSED BY SPATTERING AND LEAKAGE OF FLUIDS

Undesirable leakage or spraying of liquid may occur, for example, in the following cases:

- installation procedure carried out incorrectly;
- wear and tear of hoses;
- wear and tear of sealing device (resulting in spattering of liquid from the space between the flange and the pump body) or of other gaskets (O-ring or counterflange gasket);
- corrosion of the pump body;
- incorrect reassembly after maintenance;
- pumping of cold liquids, with water vapour condensation forming on the outer surface of the pumping body and consequent dripping. These events cause a wet environment (with danger of electric shock, danger of slipping, etc.) and the risk of persons, animals or objects being struck by jets of liquid. In particular, maximum caution must be taken when pumping liquids that are flammable, corrosive, at high temperature or in any way dangerous for living things or for the environment. The user



- (only series IFM, ALFM) take the control lever of the clutch to position B (fig. 8), in this position the pulley is disconnected from the pump shaft;

series X, ALX

- unscrew the breather plug (ref. 94 fig. 11) and fill the speed-up gearbox with oil type SAE 90 to the level indicated by the oil level plug (ref. 95 fig. 11);
- mount the protective structures indicated by the designer;
- connect the spline shaft of the pump (ref. 60 fig. 11) to the actuation source according to the methods indicated by the designer.

series BS, ALBS

- insert the shaft of the hydraulic motor in the joint (ref. 57 fig. 10);
- insert the pilot Ø80 of the motor into the corresponding seat in the hydraulic motor flange (ref. 58 fig. 10);
- connect the pump and the hydraulic motor using 4 M8 bolts;
- insert the assembly into the hydraulic system.

4) Fill the pump body with liquid to be pumped through one of the ports, avoiding spillage from this or from the other port. Traces of lubricant (cutting fluids, greases) may be present on the inner walls of the pumping body. If these substances can pollute the liquid to be pumped (i.e. food substances), initial pumping must be performed following the cleansing procedure described in Chapter 4.4.

5) Screw the hose fittings to the pump ports (ref. 25/26), after checking that the gaskets are present in the fittings, according to the designer's specifications.

6) Prepare the two liquid suction and discharge hoses according to the designer's specifications: insert the ends of the hoses into the hose fittings; secure the connection using cable clamps; if provided, install the filter in the suction hose; the hose must not exert excessive force on the pump. Avoid excessive bending of the hoses to avoid kinks. Insert the free end of the suction hose into the receptacle from which liquid is to be drawn, at a depth at least twice the diameter of the hose and at the same minimum distance from the bottom. Insert the free end of the discharge hose into the receptacle to receive the liquid.

 **The discharge hose must be fixed, without compressing it, to prevent extraction from the collection receptacle during start-up or operation, which would wet and contaminate the surrounding environment.**

4.3 – PUMP START-UP

Do not start the pump before having completed installation.

Under no circumstances insert fingers or other body parts through the ports: the pump contains moving parts.

 **In the event of use with dangerous liquids, wear personal protective equipment selected according to the specifications of the liquid, to prevent danger of contamination or contact with exposed body parts.**

- 1) To draw air from the suction hose and start pumping (priming) the pumping body must be filled with liquid; the pump only requires to be filled during installation, as although the hoses may empty through gravity at the end of each pumping operation the body always remains full.
However, if the pump has been emptied, it must be filled again:
 - make sure that the actuation source has stopped and cannot start up during this operation
 - unscrew one of the 2 hose fittings
 - fill the pump body avoiding spillage
 - screw the hose fitting back on.

WARNING **Do not operate the pump dry.**

- 2) start the pump by switching on the actuation source.
 - (only series IFE, ALFE) switch the switch from the electrical power source of the clutch to "ON"
 - (only series IFM, ALFM) take the control lever of the clutch to position A (fig. 8)After a few seconds required for priming, the pump will start to transfer liquid;
- (only series IFE, ALFE, IFM, ALFM) when pumping for the first time, the clutch must be engaged and disengaged about 10 times to allow it to adapt and operate correctly (breaking in).

 **If the hoses have not been connected correctly, this may cause leakages or sprays of liquid.**

- 3) Stop pumping: stop the actuation source, or:
 - (only series IFE, ALFE) switch the switch from the electrical power source of the clutch to "OFF"
 - (only series IFM, ALFM) take the control lever of the clutch to position B (fig. 8).

Even after it is switched off the pump remains filled with liquid; if there is any chance of the outdoor temperature dropping below the freezing point of the liquid, empty the pump after use to prevent the pump body from breaking.

WARNING

Istruzioni originali

E' consentita la riproduzione di parti di testo o disegni esclusivamente per la redazione delle istruzioni d'uso relative agli assiemi in cui vengono incorporati i componenti oggetto di questo manuale.

La riproduzione a qualsiasi altro titolo è espressamente vietata senza autorizzazione scritta del fabbricante.

AVVERTENZE




Consultare questo manuale con attenzione prima dell'installazione.

I prodotti descritti sono classificati come componenti e non come macchine o quasi-macchine, in quanto la destinazione d'uso e la sorgente di movimento sono indeterminati.

Il manuale caratterizza i componenti dal punto di vista tecnico e fornisce indicazioni per l'installazione. l'uso e la manutenzione, ma il costruttore dell' assieme in cui uno di questi componenti viene impiegato è esclusivo responsabile del rispetto di tutte le normative applicabili all' assieme stesso, in particolare quelle relative alla sicurezza. Pertanto l'installazione di questi componenti è riservata a tecnici qualificati.

Il fabbricante si ritiene sollevato da ogni responsabilità nei casi di uso improprio dei componenti, inosservanza totale o parziale delle istruzioni qui riportate, modifiche e interventi non autorizzati, utilizzo di ricambi non originali o non relativi al modello specifico.

1 - DESCRIZIONE SIMBOLI UTILIZZATI

	Rischio per la sicurezza		Rischio per la sicurezza di natura elettrica		Rischio di danno per la pompa
---	--------------------------	---	--	---	-------------------------------

2 - DESCRIZIONE E IMPIEGO DEL COMPONENTE

I componenti descritti in questo manuale sono pompe autoadescanti del tipo "a canale laterale". Esse sono specificamente progettate e realizzate per operazioni di travaso e movimentazione di liquidi, grazie ad alcune importanti caratteristiche:

- rapidissima capacità di auto-adesamento, cioè di aspirare l'aria contenuta nel tubo di aspirazione per iniziare il pompaggio;
- l'esaurimento del liquido nel serbatoio da cui si aspira non provoca danni;
- è possibile invertire il flusso di liquido invertendo il verso di rotazione dell'albero.

 **Questi componenti non sono idonei per realizzare apparecchiature ATEX (per atmosfere esplosive)**

Le pompe descritte in questo manuale di dividono in due grandi famiglie:


- con il corpo pompante interamente in ottone CB754S (serie I, IFE, IFM, BS, X)
- con il corpo pompante interamente in acciaio inox AISI 316 (serie AL, ALFE, ALFM, ALBS, ALX)

Vanno accoppiate ad una sorgente di movimento secondo le seguenti modalità:

- serie I, AL: accoppiamento con puleggia o giunto elastico;
- serie IFE, ALFE: accoppiamento con puleggia tramite frizione elettromagnetica a corrente continua;
- NOTA:** la designazione di questi componenti è del tipo **IFE 25 - 12**, dove il numero 25 esprime la dimensione della pompa e il numero 12 esprime la tensione di alimentazione della frizione: nel seguito del manuale, nella designazione verrà tralasciata l'indicazione della tensione di alimentazione;
- serie IFM, ALFM: accoppiamento con puleggia tramite frizione manuale;
- serie BS, ALBS: accoppiamento diretto a motore idraulico;
- serie X, ALX: accoppiamento a prese di forza a bassa velocità tramite moltiplicatore di giri.

2.1 - SPECIFICHE SUL LIQUIDO POMPATO

ATTENZIONE

 Il liquido da pompare deve essere:

- **Privo di particelle dure in sospensione** (sabbia, ghiaia, etc.) che possono provocare una rapida usura delle parti interne. Se il liquido da pompare presenta questo fattore di rischio, installare nel tubo di aspirazione un filtro adatto.

- **Non aggressivo nei confronti dei materiali con cui entra in contatto**, cioè
 - 1) il materiale che costituisce il corpo pompante (ottone CB754S o acciaio inox AISI 316)
 - 2) il materiale da cui è costituito l'albero (rif. 51 nelle illustrazioni), ovvero acciaio inox del tipo AISI 304 (pompe in ottone) o AISI 316 (pompe inox)
 - 3) i materiali che costituiscono le guarnizioni e il dispositivo di tenuta
 - 4) (solo per modelli con by-pass) resina acetilica.

- **Di viscosità adeguata**; la pompa non è adatta per liquidi troppo viscosi (ad esempio paste); la viscosità massima ammissibile dipende dalla potenza della sorgente di movimento e dalla velocità.

- **Con densità massima** dipendente dalla potenza della sorgente di movimento accoppiata alla pompa, dalla velocità, dalla prevalenza richiesta.

- **Temperatura minima:** -15 °C, comunque superiore alla temperatura di congelamento del liquido da pompare.

- **Temperatura massima:** varia in base al tipo di materiale delle guarnizioni (vedere tabella seguente); per i modelli che montano il bypass la temperatura massima di pompaggio è sempre 90°C.

Guarnizioni con gomma NBR (montate di serie)	90°C
Guarnizioni con gomma EPDM	110°C
Guarnizioni con gomma VITON	130°C
Guarnizioni in TEFLON	130°C

Esempi di impiego delle pompe:

Corpo pompa in ottone	-Acqua, acqua di mare, gasolio, olio, saponi
Corpo pompa in acciaio inox AISI 316	- liquidi alimentari, ad esempio vino, aceto, olio di oliva, latte; a seconda del liquido pompato bisogna ricorrere a differenti metodi di pulizia e disinfezione (vedere cap. 4.4) - liquidi corrosivi (ad esempio anticrittogamici o concimi liquidi) compatibili - gli stessi liquidi consentiti per le pompe in ottone, garantendo una durata superiore.

3 - DESCRIZIONE TECNICA

3.1 - CARATTERISTICHE

La pompa è in grado di aspirare liquido da una bocca (bocca di aspirazione) e inviarlo all'altra bocca (bocca di mandata).

Le grandezze in gioco in un problema di pompaggio sono:

- 1) **portata Q:** quantità di liquido spostata in un dato tempo; esprime la velocità del pompaggio
 - 2) **prevalenza manometrica totale H** richiesta dall'installazione pari alla somma di due contributi:
 - differenza di altezza (misurata in verticale) fra il livello del liquido nel serbatoio di mandata e quello del serbatoio di aspirazione;
 - le perdite di energia causate dallo scorrimento del liquido nei condotti (perdite di carico)
 - 3) **velocità** di rotazione dell'albero della pompa
 - 4) **potenza meccanica assorbita** all'albero della pompa, che la sorgente di movimento deve fornire.
- La tabella Tab. A indica, per i vari tipi di pompa, la portata, (in litri/minuto) e la potenza assorbita (in HP) in funzione della prevalenza manometrica totale (in metri) a tre regimi di velocità: 1400, 1900, 2800 giri/min.; i dati sono riferiti al funzionamento con acqua pulita a 20°C.

Nella stessa tabella viene anche indicato il valore della prevalenza massima Hmax sviluppata dalla pompa (espressa in bar, unità di misura di pressione), che si raggiunge quando la bocca di mandata del liquido è chiusa.

3.2 - DISTINTA DEI COMPONENTI

La tabella Tab. B contiene la distinta globale dei componenti; riferita alle figure nelle pagine 2 e 3.

Fig. 1a: disegno esploso parte pompa tipo 25/30/35/40/50

Fig. 1b: disegno esploso parte pompa tipo 20

Fig. 2: quote di fissaggio del supporto pompa e del moltiplicatore

Fig. 3a e Fig. 4: tenuta meccanica e i suoi diversi sistemi di fissaggio

Fig. 3b: tenuta a labbro

Fig. 5: quote dei fori filettati per il fissaggio di schermi di protezione nei modelli serie X e ALX

Fig. 6: modalità di estrazione delle giranti forzate sull'albero

Fig. 7: disegno illustrativo della parte supporto pompa (serie I/AL)

Fig. 8: disegno illustrativo della parte supporto pompa (serie IFM/ALFM)

Fig. 9: disegno illustrativo della parte supporto pompa (serie IFE/ALFE)

Fig. 10: disegno illustrativo della parte supporto pompa (serie BS/ALBS)

Fig. 11: disegno illustrativo della parte supporto pompa (serie X/ALX).

3.3 - ALTEZZA MASSIMA DI ADESCAMENTO

L'altezza massima di adescamento è il massimo distivello fra la pompa e il livello del liquido da pompare con il quale essa è in grado di aspirare l'aria dal tubo di aspirazione e iniziare il pompaggio.

Con acqua a 20 °C, tale valore può arrivare a 6 metri, ma dipende dalla quantità di liquido presente all'interno della pompa durante la fase di adescamento; questa quantità dipende dalle modalità di installazione della pompa e dalla configurazione dei tubi.

Quando la pompa sia avvia la girante tende a svuotare il corpo pompa e quindi a ridurre la capacità di adescamento. Per ottenere l'adescamento massimo installare i tubi di aspirazione e mandata in maniera tale da creare un prolungamento verso l'alto delle bocche in modo da fare rifillire il liquido dentro il corpo pompa e da aumentare la quantità di liquido che rimane all'interno della pompa dopo il suo arresto.

3.4 - DISPOSITIVI DI TENUTA (rif.67)

La girante (rif. 13 fig. 1), cioè l'organo meccanico rotante che permette il funzionamento della pompa, viene azionata dalla sorgente di movimento tramite un albero (rif. 51 fig. da 7 a 11); nel corpo pompa esiste un'apertura per il passaggio dell'albero. La "tenuta sull'albero" è quel dispositivo che impedisce la fuga del liquido attraverso lo spazio tra albero e corpo pompa. La tabella Tab. C riporta i tipi di tenuta forniti di serie o su richiesta per ogni modello. Se non diversamente indicato da un'etichetta apposta sulla pompa, la tenuta presente è del tipo di serie.

Type	Max rpm.	Ports	Ø fittings (mm)	Type	Max rpm.	Ports	Ø fittings (mm)
I 20, AL 20	2900	3/4" M	20				
I 25, IFE 25, IFM 25, AL 25, ALFE 25, ALFM 25	2900	1" M	25				
I 30, IFE 30, IFM 30, BS 30	2900	1 1/2" M	30				
I 40, IFE 40, IFM 40, BS 40	2900	1 1/2" M	40	X 40	480	1 1/2" M	40
AL 40, ALFE 40, ALFM 40, ALBS 40	2400	1 1/2" M	40	ALX 40	400	1 1/2" M	40
I 50, IFE 50, IFM 50, BS 50	1900	2" M	50	X 50	320	2" M	50
AL 50, ALFE 50, ALFM 50, ALBS 50	1800	2" M	50	ALX 50	300	2" M	50

Table D

the formula **N1 x D1 = N2 x D2** is valid.

The characteristics of the pump pulleys supplied standard are:

IFE 25: pulley 1Z120

IFE 30, IFE 40, IFE 50: pulley 2A148

IFM 25, IFM 30, IFM 40: pulley 1A110

IFM 50: pulley 2A100

Series I, series AL: read stamp on the pulley.

b) A device must be provided or measures taken to tension the belts.



A belt transmission is the source of serious risks of mechanical nature; the designer must carefully assess the risk and provide suitable protective structures. This is particularly important if the pump is provided with a mechanical clutch, which when operated causes the operator's limbs to come close to a danger area;

c) (only for series IFE and ALFE) these pumps are equipped with an electromagnetic clutch interposed between the pump pulley and shaft. By powering the pair of electric cables exiting from the clutch the pulley is connected to the shaft and the pump can operate. Provide a direct current power supply, with voltage indicated on the pump rating plate (12 or 24 Volts, depending on the model), capable of delivering a power of 55 W and equipped with a switch.

d) (only for series IFM and ALFM) these pumps are equipped with a mechanical clutch interposed between the pump pulley and shaft. When the control lever is in position B (fig. 8), the pulley is disconnected from the pump shaft; by shifting the lever to position A, the pulley is connected to the shaft and the pump can operate.

NOTES FOR SERIES WITH SPEED-UP GEARBOX (X, ALX)

The pump shaft (ref. 51, not directly operable) is rotated using a speed-up gearbox by a spline shaft type 1 3/8" Z6 (ref. 60). With these series it is possible to use a low speed power take-off as actuation source.

Accessible rotating parts are a serious mechanical hazard; the designer must carefully assess the risk and provide suitable protective structures. Four M8 threaded holes for fixing protective structures (fig. 5) are provided on the speed-up gearbox in proximity of the spline shaft.,

in models X 50 and ALX 50 the space between speed-up gearbox (fig. 11) and pump body (ref. 10 fig. 1a) allows the limbs to access the rotating pump shaft; if necessary provide protections.

NOTES FOR THE SERIES TO BE COUPLED WITH HYDRAULIC MOTOR (BS, ALBS)

a) The motor to be coupled must be German Standard Group 2, with the dimensions indicated in fig. 10

b) the connection between pump and hydraulic motor must be made using 4 suitable M8 bolts.

4.2 - INSTALLATION OF THE PUMP



Installation must be carried out with the actuation source stopped

1) Before handling the pump check the pump's weight indicated on the ratings plate and adopt methods in accordance with national safety regulations relative to manual handling of loads. Remove the pump from the packaging and check that all parts are intact: any breakages that occur during transport can cause dangers.

2) Position the pump on the surface chosen for installation and fix the feet using suitable bolts.

3) Connect it to the actuation source using the following methods:

series I, AL, IFE, ALFE, IFM, ALFM

- mount the pulley selected on the actuation source;

- position and fix the actuation source on a sufficiently sturdy surface, the two pulleys must be aligned;

- position the belts and tension them using the device selected in the design stage;

- (only series IFE, ALFE) check that the electrical power source supplies the voltage indicated on the pump ratings plate and that the switch is positioned to "OFF"; connect the electrical cables of the electromagnetic clutch, making sure that they cannot be damaged by moving parts;



An incorrect supply voltage can cause hazards of an electrical nature and damage the pump.

TYPE OF SEAL	STANDARD	ON REQUEST
	LIP SEAL WITH STAINLESS STEEL SPRING (Fig. 3b)	
NBR	series I, BS, X, IFE, IFM	
VITON	series I, BS, X, IFE, IFM	
TEFLON	AL 20	
	MECHANICAL SEAL (Fig. 3a)	
	series AL	
Ceramic/Graphite/NBR	series I, BS, X, IFE, IFM	
Ceramic/Graphite/Viton	series AL, I, BS, X, IFE, IFM	
Ceramic/Graphite/EPDM	series AL, I, BS, X, IFE, IFM	
Silicon Carbide/Viton	series AL, I, BS, X, IFE, IFM	
Graphite/AISI316/Teflon	series AL except AL 20	

Table C

3.5 – AVAILABLE ACCESSORIES

- **Manual by-pass** built into the pump to adjust capacity and head; the relative instructions for use are included in this manual.
- **Discharge plug or cock**; to drain part of the pump body without removing the hoses.
- **Nylon or stainless steel fittings** on request for series in AISI 316 stainless steel.

4 - DESIGN, INSTALLATION AND START-UP INSTRUCTIONS

Before the component is used, it must be subjected to design and risk assessment by a qualified technician (designer) following the indications provided in this manual and all regulations applicable to the specific case. Installation must be carried out by qualified personnel adopting all the applicable safety regulations and following the designer's indications.

4.1 – INDICATIONS FOR THE DESIGNER

- 1) Place of installation: clean and dry, normal or marine atmosphere, ambient temperature between -15 °C and 40 °C
 - 2) Fixing the pump: by screwing the supporting feet or speed-up gearbox using suitable bolts onto a horizontal flat surface (see Fig. 2 for the dimensions of the holes in the feet).
 - 3) The pump is reversible: the direction of flow is reversed by reversing the direction of rotation of the shaft; if the actuation source can only rotate in one direction and a specific direction of flow is required, the problem should be considered at this stage. Observing the pump from the cover side (ref. 1) if the pump shaft (ref. 51) rotates clockwise the direction of flow is:
 - pump I 20, AL 20: from the left port towards the right port;
 - other models: from the port of the pump cover (ref. 11) to the port of the pump body (ref. 10); in models with speed-up gearbox (series X, ALX) the pump shaft (ref. 51) rotates in the opposite direction to the spline shaft (ref. 60).
 - 4) Choose the rotation speed according to the characteristics of the liquid and to the performances required (capacity and head). Do not exceed the maximum allowable speed (in rpm), indicated in the Table D.
 - 5) Evaluate the absorbed mechanical power; choose the power of the actuation source taking into account the transmission output and a coefficient of safety.

NOTE: For points (4) and (5) if the density and viscosity of the pumped liquid are similar to water at 20°, use the data in Table A. For different liquids it is advisable to carry out tests as:

 - the absorbed power increases as the density increases;
 - the capacity decreases and the absorbed power increases as the viscosity increases.
 - 6) Define the geometric characteristics of the two liquid suction and discharge hoses, i.e. the length and internal diameter, equivalent to the external diameter of the hose fittings. The hoses must be made of a material suitable for the type and temperature of the liquid to be pumped, resistant to the internal vacuum and with a higher operating pressure than the pressure generated by the pump (equal to Hmax in Table A). Hose fittings (1 straight and 1 curved) are supplied standard with brass pumps, on request (in nylon or stainless steel) for series AL pumps; other suitable fittings can be used alternatively; Table D indicates the dimensions of the threaded ports and of the hose fittings that can be supplied.
 - 7) If the liquid can contain hard suspended particles install a suitable filter in the suction hose to retain them;
 - 8) If the pump operates with the discharge port closed, the energy supplied by the actuation source is transformed into heat transferred to the liquid contained therein; this causes a gradual increase in the temperature of this liquid. It is necessary to assess the maximum time for which it can remain closed in the conditions of use and to take measures (use devices, information for the user) to ensure this time is not exceeded.
 - 9) Bear in mind that when the pump is stopped it allows liquid to pass through, and therefore a siphon can be triggered.
- NOTES FOR SERIES WITH BELT TRANSMISSION (I, AL, IFE, ALFE, ALFM, ALFIM)**
- a) The pulley to be applied to the actuation source must have the same number of races and section as that of the pump. The pitch diameter must be selected according to the speed required for the pump shaft; if
 - N1** = speed of the actuation source (rpm)
 - D1** = pitch diameter of the pulley of the actuation source (in mm)
 - N2** = speed of the pump shaft (rpm)
 - D2** = pitch diameter of the pump pulley (in mm)

SERIE I, IFE, IFM, BS

TIPO	1400 giri/min.					1900 giri/min.					2800 giri/min.							
	H (m)	1 m	5 m	10 m	Hmax	H (m)	1 m	5 m	10 m	15 m	Hmax	H (m)	1 m	10 m	20 m	30 m	Hmax	
	Q	HP	Q	HP	Q	HP	Q	HP	Q	HP	Q	HP	Q	HP	Q	HP	Q	HP
20	0.7	0.1	7	0.1	bar	1.3	0.1	14	0.2	bar	1.3	0.1	21	0.2	21	9	2.8	
	0.7	0.1	7	0.1	bar	1.3	0.1	14	0.2	bar	1.3	0.1	21	0.2	21	9	2.8	
25	1.3	0.1	38	0.4	bar	2.4	0.1	60	0.8	2.4	0.1	73	0.8	98	80	58	34	4.8
	1.3	0.1	38	0.4	bar	2.4	0.1	60	0.8	2.4	0.1	73	0.8	98	80	58	34	4.8
30, 35	1.7	0.1	43	0.8	bar	3	0.1	122	1.1	3	0.1	122	1.1	169	144	114	86	6
	1.7	0.1	43	0.8	bar	3	0.1	122	1.1	3	0.1	122	1.1	169	144	114	86	6
40	1.8	0.1	78	1.1	bar	3.2	0.1	206	1.7	3.2	0.1	206	1.7	286	244	197	151	6.2
	1.8	0.1	78	1.1	bar	3.2	0.1	206	1.7	3.2	0.1	206	1.7	286	244	197	151	6.2
50	2.8	0.1	227	2.8	bar	5.2	0.1	360	4.4	5.2	0.1	360	4.4	464	4.6	4.9	bar	
	2.8	0.1	227	2.8	bar	5.2	0.1	360	4.4	5.2	0.1	360	4.4	464	4.6	4.9	bar	

SERIE AL, ALFE, ALFM, ALBS

TIPO	1400 giri/min.					1900 giri/min.					2800 giri/min.							
	H (m)	1 m	5 m	10 m	Hmax	H (m)	1 m	5 m	10 m	15 m	Hmax	H (m)	1 m	10 m	20 m	30 m	Hmax	
	Q	HP	Q	HP	Q	HP	Q	HP	Q	HP	Q	HP	Q	HP	Q	HP	Q	HP
20	0.5	0.1	11	0.1	bar	0.9	0.1	18	0.1	0.9	0.1	28	0.2	17	5	2.4	bar	
	0.5	0.1	11	0.1	bar	0.9	0.1	18	0.1	0.9	0.1	28	0.2	17	5	2.4	bar	
25	1.2	0.1	28	0.3	bar	2	0.1	59	0.7	2	0.1	89	0.7	70	48	26	4.2	bar
	1.2	0.1	28	0.3	bar	2	0.1	59	0.7	2	0.1	89	0.7	70	48	26	4.2	bar
40	2.1	0.1	137	2.1	bar	3.5	0.1	183	1.7	3.5	0.1	183	1.7	244	1.2	1.4	bar	
	2.1	0.1	137	2.1	bar	3.5	0.1	183	1.7	3.5	0.1	183	1.7	244	1.2	1.4	bar	
50	3	0.1	205	3	bar	5.2	0.1	360	4.4	5.2	0.1	360	4.4	464	4.5	5	bar	
	3	0.1	205	3	bar	5.2	0.1	360	4.4	5.2	0.1	360	4.4	464	4.5	5	bar	

SERIE X

TIPO	220 giri/min.					300 giri/min.					450 giri/min.							
	H (m)	1 m	5 m	10 m	Hmax	H (m)	1 m	5 m	10 m	15 m	Hmax	H (m)	1 m	10 m	20 m	30 m	Hmax	
	Q	HP	Q	HP	Q	HP	Q	HP	Q	HP	Q	HP	Q	HP	Q	HP	Q	HP
40	1.8	0.1	149	1.8	bar	3.2	0.1	206	1.8	3.2	0.1	286	1.8	244	197	151	6.2	bar
	1.8	0.1	149	1.8	bar	3.2	0.1	206	1.8	3.2	0.1	286	1.8	244	197	151	6.2	bar
50	2.8	0.1	262	2.8	bar	5.2	0.1	360	4.4	5.2	0.1	360	4.4	464	4.5	5.5	bar	
	2.8	0.1	262	2.8	bar	5.2	0.1	360	4.4	5.2	0.1	360	4.4	464	4.5	5.5	bar	

SERIE ALX

TIPO	220 giri/min.					300 giri/min.					450 giri/min.						
	H (m)	1 m	5 m	10 m	Hmax	H (m)	1 m	5 m	10 m	15 m	Hmax	H (m)	1 m	10 m	20 m	30 m	Hmax
	Q	HP	Q	HP	Q	HP	Q	HP	Q	HP	Q	HP	Q	HP	Q	HP	Q
40	2.1	0.1	137	2.1	bar	3.5	0.1	183	1.7	3.5	0.1	183	1.7	244	1.2	1.4	bar
	2.1	0.1	137	2.1	bar	3.5	0.1	183	1.7	3.5	0.1	183	1.7	244	1.2	1.4	bar
50	3	0.1	205	3	bar	5.2	0.1	360	4.4	5.2	0.1	360	4.4	464	4.5	5	bar
	3	0.1	205	3	bar	5.2	0.1	360	4.4	5.2	0.1	360	4.4	464	4.5	5	bar

Tab. A

5	Controflangia	26	Raccordo curvo	66	Parte interna anteriore
9A	Anello d'arresto tenuta inox	41	Seeger elettromagnete	67A	Tenuta meccanica parte rotante
9B	Anello d'arresto tenuta ottone	42	Distanziale FE	67B	Tenuta meccanica parte fissa - controfaccia
9C	Distanziale tenuta	45	Gruppo puleggia FE	67C	Tenuta meccanica parte fissa - cuffia
10	Corpo pompa	50	Supporto pompa	67D	Tenuta a labbro
11	Coperchio pompa	51	Albero pompa	68	Tenuta a labbro supporto
12	O-Ring	57	Giuntino	93	Tappo scarico olio
13	Girante	58	Flangia motore idraulico	94	Tappo sfiato olio
15	Linguetta girante	60	Albero scanalato	95	Tappo spia livello olio
25	Raccordo dritto	65	Parte interna posteriore		

Tab. B

TIPO DI TENUTA	DI SERIE	SU RICHIESTA
TENUTA A LABBRO CON MOLLA INOX (Fig. 3b)		
NBR	serie I, BS, X, IFE, IFM	
VITON	serie I, BS, X, IFE, IFM	
TEFLON	AL 20	
TENUTA MECCANICA (Fig. 3a)		
serie AL		
Ceramica/Grafito/NBR	serie I, BS, X, IFE, IFM	
Ceramica/Grafito/Viton	serie AL, I, BS, X, IFE, IFM	
Ceramica/Grafito/EPDM	serie AL, I, BS, X, IFE, IFM	
Carburo di Silicio/Viton	serie AL, I, BS, X, IFE, IFM	
Grafito/AISI316/Teflon	serie AL tranne AL 20	

Tab. C

3.5 - ACCESSORI DISPONIBILI

- **By-pass** manuale integrato nella pompa per la regolazione della portata e della prevalenza; le relative istruzioni per l'uso sono incluse in questo manuale

- **Tappo di scarico / rubinetto di scarico**, per svuotare parzialmente il corpo pompante senza rimuovere i tubi

- **Raccordi in nylon o in acciaio inox** su richiesta per le serie in acciaio inox AISI 316.

4 - NORME PER LA PROGETTAZIONE, INSTALLAZIONE E L'AVVIAMENTO

L'impiego del componente deve essere preliminarmente oggetto di progettazione e valutazione del rischio ad opera di un tecnico qualificato (progettista) seguendo le indicazioni del presente manuale e tutte le norme applicabili al caso specifico.

L'installazione deve essere eseguita da personale qualificato adottando tutte le norme di sicurezza applicabili e seguendo le indicazioni del progettista.

4.1 - INDICAZIONI PER IL PROGETTISTA

- 1) Luogo di installazione: pulito e asciutto, atmosfera normale o marina, temperatura ambiente tra -15 °C e 40 °C
- 2) Fissaggio della pompa: avvitando i piedi del supporto o del moltiplicatore tramite adatti bulloni sopra ad una superficie piana orizzontale (vedere fig. 2 per le dimensioni dei fori nei piedi).
- 3) La pompa è biseno, invertendo il verso di rotazione dell'albero si inverte la direzione del flusso; se la sorgente di movimento può girare solo in un senso e si desidera una specifica direzione del flusso, è necessario considerare il problema già in questa fase. Guardando la pompa dal lato del coperchio pompa (rif. 11) se l'albero pompa (rif. 51) ruota in senso orario la direzione del flusso è:
- pompa I 20, AL 20: dalla bocca sinistra alla bocca destra;
- altri modelli: dalla bocca del coperchio pompa (rif. 11) a quella del corpo pompa (rif. 10); nei modelli con moltiplicatore (serie X, ALX) il verso di rotazione dell'albero pompa (rif. 51) è opposto a quello dell'albero scanalato (rif. 60).
- 4) In base alle caratteristiche del liquido, alle prestazioni richieste (portata e prevalenza) scegliere la velocità di rotazione. Non superare la massima velocità ammissibile (in giri/min.), riportata nella tabella Tab. D.
- 5) Valutare la potenza meccanica assorbita; considerando il rendimento della trasmissione e un coefficiente di sicurezza dimensionare la potenza della sorgente di movimento.

NOTA: Per i punti (4) e (5) se densità e viscosità del liquido pompato sono simili all'acqua a 20° utilizzare i dati della tabella Tab. A. Per liquidi diversi si consiglia di effettuare prove poiché:

- all'aumentare della densità aumenta la potenza assorbita
 - all'aumentare della viscosità si riduce la portata e aumenta la potenza assorbita
- 6) Definire le caratteristiche geometriche dei due tubi per l'aspirazione e la mandata del liquido, ovvero la lunghezza e il diametro interno, pari al diametro esterno dei raccordi portagomma. I tubi deve essere di materiale adatto al tipo di liquido da pompare e alla sua temperatura, resistenti al vuoto interno e con pressione di esercizio superiore a quella massima generata dalla pompa (Hmax di tab. A in bar). Raccordi portagomma (1 dritto e 1 curvo) sono forniti di serie a corredo delle pompe in ottone su richiesta (in nylon o in acciaio inox) per le pompe serie AL; è possibile utilizzare in alternativa altra raccorderia adatta; nella tabella Tab. D vengono riportate le dimensioni delle bocche filettate e dei raccordi portagomma fornibili.
 - 7) Se il liquido può contenere particelle dure in sospensione prevedere l'installazione nel tubo di aspirazione di un filtro idoneo a trattenerle;
 - 8) Se la pompa funziona con la bocca di mandata chiusa, l'energia fornita dalla sorgente di movimento viene trasformata in calore ceduto al liquido contenuto all'interno; questo provoca un aumento progressivo della temperatura del liquido stesso. Occorre valutare il massimo tempo di chiusura ammissibile nelle condizioni di impiego e adottare accorgimenti (dispositivi, informazioni all'utilizzatore) affinché questo tempo non venga superato.
 - 9) Considerare che la pompa ferma consente il passaggio del liquido, quindi si può innescare un sifone.

NOTE PER LE SERIE CON TRASMISSIONE A CINGHIE (I, AL, IFE, ALFE, IFM, ALFM)

a) La puleggia da applicare alla sorgente di movimento deve avere lo stesso numero di gole e sezione di quella della pompa. Il diametro primitivo va scelto in base alla velocità che si desidera per l'albero della pompa; se

N1 = velocità della sorgente di movimento (giri/minuto)

SERIES I, IFE, IFM, BS

TYPE	1400 rpm					1900 rpm					2800 rpm						
	H (m)	1 m	5 m	10 m	Hmax	H (m)	1 m	5 m	10 m	15 m	Hmax	H (m)	1 m	10 m	20 m	30 m	Hmax
20	Q	15	7		0,7	Q	21	14	5		1,3	Q	32	21	9		2,8
	HP	0,1	0,1		bar	HP	0,1	0,1	0,2		bar	HP	0,2	0,2	0,3		bar
25	Q	53	38	16	1,3	Q	73	60	44	28	2,4	Q	98	80	58	34	4,8
	HP	0,3	0,3	0,4	bar	HP	0,6	0,7	0,8	0,9	bar	HP	1,1	1,2	1,4	1,6	bar
30, 35	Q	89	71	43	1,7	Q	122	105	85	65	3	Q	169	144	114	86	6
	HP	0,6	0,7	0,8	bar	HP	1	1	1,1	1,2	bar	HP	2,7	3,1	3,7	4	bar
40	Q	149	119	78	1,8	Q	206	180	148	116	3,2	Q	286	244	197	151	6,2
	HP	0,9	1	1,1	bar	HP	1,7	2	2,3	2,6	bar	HP	3,5	4	4,5	5	bar
50	Q	262	227	180	2,8	Q	360	333	298	263	5,2	Q					
	HP	1,6	1,8	2	bar	HP	4	4,3	4,6	4,9	bar	HP					

SERIES AL, ALFE, ALFM, ALBS

TYPE	1400 rpm					1900 rpm					2800 rpm						
	H (m)	1 m	5 m	10 m	Hmax	H (m)	1 m	5 m	10 m	15 m	Hmax	H (m)	1 m	10 m	20 m	30 m	Hmax
20	Q	11			0,5	Q	18	9			0,9	Q	28	17	5		2,4
	HP	0,1			bar	HP	0,1	0,1			bar	HP	0,2	0,2	0,3		bar
25	Q	43	28	8	1,2	Q	59	47	32	18	2	Q	89	70	48	26	4,2
	HP	0,2	0,2	0,3	bar	HP	0,5	0,7	0,8	0,9	bar	HP	1	1,1	1,2	1,4	bar
40	Q	137	112	76	2,1	Q	183	157	124	92	3,5	Q					
	HP	0,7	0,8	0,9	bar	HP	1,7	2	2,3	2,6	bar	HP					
50	Q	205	176	140	3	Q						Q					
	HP	1,1	1,3	1,4	bar	HP						HP					

SERIES X

TYPE	220 rpm					300 rpm					450 rpm						
	H (m)	1 m	5 m	10 m	Hmax	H (m)	1 m	5 m	10 m	15 m	Hmax	H (m)	1 m	10 m	20 m	30 m	Hmax
40	Q	149	119	78	1,8	Q	206	180	148	116	3,2	Q	286	244	197	151	6,2
	HP	1	1,1	1,3	bar	HP	1,9	2,2	2,5	2,9	bar	HP	4	4,5	5	5,5	bar
50	Q	262	227	180	2,8	Q	360	333	298	263	5,2	Q					
	HP	1,7	1,9	2,2	bar	HP	4,4	4,8	5,1	5,5	bar	HP					

SERIES ALX

TYPE	220 rpm					300 rpm					450 rpm						
	H (m)	1 m	5 m	10 m	Hmax	H (m)	1 m	5 m	10 m	15 m	Hmax	H (m)	1 m	10 m	20 m	30 m	Hmax
40	Q	137	112	76	2,1	Q	183	157	124	92	3,5	Q					
	HP	0,7	0,8	0,9	bar	HP	1,7	2	2,3	2,6	bar	HP					
50	Q	205	176	140	3	Q						Q					
	HP	1,1	1,3	1,4	bar	HP						HP					

Table A

5	Counterflange	26	Curved fitting	66	Internal front part
8	Gasket	40	FE electromagnet	67	Seal
9A	Stainless steel seal retaining ring	41	FE electromagnet retaining ring	67A	Mechanical seal of rotating part
9B	Brass seal retaining ring	42	FE spacer	67B	Mechanical seal of fixed part - counterface
9C	Seal spacer	45	FE pulley assembly	67C	Mechanical seal of fixed part - shroud
10	Pump body	50	Pump support	67D	Lip seal
11	Pump cover	51	Pump shaft	68	Lip seal support
12	O-Ring	57	Joint	93	Oil drain plug
13	Impeller	58	Hydraulic motor flange	94	Oil breather plug
15	Impeller key	60	Spline shaft	95	Oil level plug
25	Straight fitting	65	Internal rear part		

Table B

- **Must have a minimum temperature of:** -15° C, in any case above the freezing temperature of the liquid to be pumped.
- **Must have a maximum temperature of:** varies according to the type of gasket material (see table below); for models with By-pass the maximum pumping temperature is always 90°C.

NBR rubber gaskets (mounted standard)	90° C
EPDM rubber gaskets	110° C
VITON rubber gaskets	130° C
TEFLON gaskets	130° C

Examples of use of the pumps:

Brass pumps	-Water, sea water, gas oil, oil, soaps
AlSi 316 stainless steel pumps	- liquid foods, such as wine, vinegar, olive oil, milk; for these uses appropriate methods of washing and disinfecting the pump must be adopted, according to type of liquid (see Chapter 4.4) - compatible corrosive liquids (such as fungicides or liquid fertilizers) - the same liquids permitted for brass pumps, in this case ensuring a much longer useful life.

3 - TECHNICAL DESCRIPTION

3.1 - SPECIFICATIONS

The pump can perform suction of liquid from one port (suction port), sending it to the other port (discharge port):

- The parameters involved in a pumping problem are:
- 1) **capacity Q**, quantity of liquid transferred in a given time; it expresses the pumping speed
 - 2) **total manometric head H** required by the installation equivalent to the sum of two contributions:
 - difference in height (measured vertically) between the level of liquid in the tank of discharge and that of the tank or suction;
 - energy losses caused by liquid flow in pipes (charge losses)
 - 3) **rotation speed** of the pump shaft
 - 4) **mechanical power absorbed** at the pump shaft, which the actuation source must supply.
- Table A indicates, for the various pump types, the capacity (in litres per minute) and the absorbed power (in HP) as a function of the total manometric head (in metres) at three operating speeds: 1400, 1900, 2800 rpm; the data refer to operation with clean water at 20° C.
- The same table also indicates the value of the maximum head Hmax developed by the pump (expressed in bar, unit of pressure measurement), which is reached when the discharge port of the liquid is closed.

3.2 - LIST OF COMPONENTS

Table B contains the list of all components, and refers to figures in the pages 2 and 3.

- Fig. 1a:** exploded drawing of part of pump type 25/30/35/40/50
Fig. 1b: exploded drawing of part of pump type 20
Fig. 2: fixing heights of the pump support and of the speed-up gearbox
Fig. 3a and Fig. 4: mechanical seal and its different fixing systems
Fig. 3b: lip seal

- Fig. 5:** positions of the threaded holes for fixing protective screens in models series X and ALX
Fig. 6: method of removing the impellers forced onto the shaft
Fig. 7: drawing illustrating the pump support part (series I/AL)
Fig. 8: drawing illustrating the pump support part (series IFM/ALFM)
Fig. 9: drawing illustrating the pump support part (series IFE/ALFE)
Fig. 10: drawing illustrating the pump support part (series BS/ALBS)
Fig. 11: drawing illustrating the pump support part (series X/ALX).

3.3 - MAXIMUM PRIMING HEIGHT

The maximum priming height is the maximum difference in level between the pump and the level of the liquid to be pumped with which it can perform suction of air from the suction hose and start pumping.
 With water at 20° C this value can reach 6 metres, but it depends on the quantity of liquid present inside the pump during priming: this quantity depends on the installation methods of the pump and on the configuration of the hoses.
 When the pump starts up the impeller tends to empty the pump body and consequently reduce the priming capacity. To obtain maximum priming, install the suction and discharge hoses so as to create an upward extension of the ports, so that the liquid flows back into the pump body and increases the quantity of liquid remaining inside the pump after it has stopped.

3.4 - SHAFT SEALING DEVICES (ref. 67)

The impeller, i.e. the rotating mechanical part that allows the pump to operate is activated through a shaft by the actuation source (ref. 51 fig. 7 to 11); the pump body has an opening for the shaft to pass through. The "shaft seal" is the device that prevents liquid from leaking through the space between the shaft and the pump body. Table C shows the types of seal supplied standard or on request for each model. Unless otherwise indicated by a label affixed to the pump, the seal present is of standard type.

Tipo	Giri/min. max	Bocche (mm)	Ø raccordi (mm)	Tipo	Giri/min. max	Bocche (mm)	Ø raccordi (mm)
I 20, AL 20	2900	3/4" M	20			3/4" M	20
I 25, IFE 25, IFM 25, AL 25, ALFE 25, ALFM 25	2900	1" M	25			1" M	25
I 30, IFE 30, IFM 30, BS 30	2900	1 1/2" M	30			1 1/2" M	30
I 40, IFE 40, IFM 40, BS 40	2900	1 1/2" M	40	X 40	480	1 1/2" M	40
AL 40, ALFE 40, ALFM 40, ALBS 40	2400	1 1/2" M	40	ALX 40	400	1 1/2" M	40
I 50, IFE 50, IFM 50, BS 50	1900	2" M	50	X 50	320	2" M	50
AL 50, ALFE 50, ALFM 50, ALBS 50	1800	2" M	50	ALX 50	300	2" M	50

Tab. D

D1 = diametro primitivo della puleggia della sorgente di movimento (in mm)

N2 = velocità dell'albero della pompa (giri/minuto)

D2 = diametro primitivo della puleggia della pompa (in mm)

vale la formula: **N1 x D1 = N2 x D2**

Le caratteristiche delle pulegge della pompa fornite di serie sono le seguenti:

IFE 25: puleggia 1Z120

IFE 30, IFE 40, IFE 50: puleggia 2A148

IFM 25, IFM 30, IFM 40: puleggia 1A110

IFM 50: puleggia 2A100

Serie I, serie AL: leggere stampigliatura sulla puleggia.

- b) Occorre prevedere un dispositivo o accorgimento per mettere le cinghie in tensione.



Una trasmissione a cinghie è fonte di rischi gravissimi di natura meccanica; il progettista deve valutare attentamente il rischio e prevedere adeguate strutture di protezione. Questo, in particolare, se la pompa è provvista di frizione meccanica, per l'azionamento della quale l'operatore deve avvicinare gli arti ad una zona pericolosa;

c) **(solo per serie IFE e ALFE)** tali pompe sono dotate di una frizione elettromagnetica interposta tra puleggia e albero della pompa. Alimentando la coppia di cavi elettrici uscenti dalla frizione la puleggia viene collegata all'albero e la pompa può funzionare. Prevedere una sorgente di alimentazione a corrente continua, con tensione pari a quella indicata sulla targa della pompa (12 oppure 24 Volt secondo il modello), in grado di erogare una potenza di 55 W e dotata di un interruttore.

d) **(solo per serie IFM e ALFM)** tali pompe sono dotate di una frizione meccanica interposta tra puleggia e albero della pompa. Quando la leva di comando è in posizione B (fig. 8), la puleggia è disconnessa dall'albero della pompa, portando la leva in posizione A, la puleggia viene collegata all'albero e la pompa può funzionare.

NOTE PER LE SERIE CON MOLTIPLICATORE (X, ALX)

L'albero della pompa (rif. 51, non azionabile direttamente) viene fatto ruotare tramite un moltiplicatore di giri da un albero scanalato tipo 1 3/8" Z6 (rif. 60). Con queste serie è possibile utilizzare come sorgente di movimento prese di forza a bassa velocità.



Parti rotanti accessibili sono fonte di gravissimi pericoli di natura meccanica; il progettista deve valutare attentamente il rischio e prevedere adeguate strutture di protezione. Sul moltiplicatore, in prossimità dell'albero scanalato, sono presenti 4 fori filettati M8 (fig. 5) per il fissaggio di strutture di protezione. Nei modelli X 50 e ALX 50 lo spazio fra moltiplicatore (fig. 11) e corpo pompa (rif. 10 fig. 1a) consente l'accesso degli arti all'albero pompa rotante, se necessario predisporre protezioni.

NOTE PER LE SERIE DA ACCOPPIARE A MOTORE IDRAULICO (BS, ALBS)

- a) Il motore da accoppiare deve essere gruppo 2 - unificazione tedesca, con le caratteristiche dimensionali indicate in fig. 10
 b) Il collegamento pompa-motore idraulico deve essere eseguito tramite 4 adattati bulloni M8.

4.2 - INSTALLAZIONE DELLA POMPA



L'installazione deve essere effettuata con la sorgente di movimento ferma

- 1) Prima della movimentazione, verificare il peso della pompa riportato in targa e adottare metodi in accordo con le normative nazionali di sicurezza relative alla movimentazione dei carichi. Rimuovere la pompa dall'imballaggio e verificare l'integrità di tutte le sue parti: eventuali rotture verificatesi durante il trasporto possono generare pericoli.
- 2) Posizionare la pompa sul piano scelto per l'installazione e fissare i piedi tramite adattati bulloni.
- 3) Effettuare il collegamento alla sorgente di movimento con le seguenti modalità:

serie I, AL, IFE, ALFE, IFM, ALFM

- montare la puleggia prescelta sulla sorgente di movimento;

- posizionare e fissare la sorgente di movimento su un piano sufficientemente robusto, le due pulegge devono essere allineate;

Translation of the original instructions
Parts of text and drawings may only be reproduced to draw up instructions for use in relation to assemblies in which the components referred to in this manual are incorporated.
Reproduction, for any purpose, is prohibited without prior written consent from the manufacturer.

WARNINGS

Before installation read this manual carefully.
 The products described are classified as components and not as machinery or partly completed machinery, as the intended use and the actuation source are unspecified.
 The manual characterizes the components from a technical viewpoint and provides indications for installation, use and maintenance, but the person who constructs the assembly in which one of these components is used is solely responsible for ensuring that the assembly complies with all applicable laws, in particular those concerning safety. Therefore, installation of these components must be carried out by qualified technicians.
 The manufacturer shall not be held responsible in cases of improper use of the components, total or partial failure to comply with the instructions indicated herein, unauthorized modifications and operations, use of non-original spare parts or parts not relative to the specific model.

1 – DESCRIPTION OF SYMBOLS USE

	Safety hazard		Danger of electric shock		Danger of damaging the pump
--	---------------	--	--------------------------	--	-----------------------------

2 - DESCRIPTION AND USE OF THE COMPONENT

The components described in this manual are self-priming pumps of "side-channel" type. They have been designed and manufactured specifically for transferring and handling liquids, thanks to some important features:

- very rapid self-priming capacity, i.e. suction of air contained in the suction hose to start pumping;
- no damage if the liquid in the suction tank finishes;
- possibility of reversing the flow of liquid by reversing the direction of rotation of the shaft.

These components are not suitable to produce ATEX equipment (for explosive atmospheres)

The pumps described in this manual are divided into two large families:

- with pumping body made entirely of CB754S brass (series I, IFE, IFM, BS, X)
- with pumping body made entirely of AISI 316 stainless steel (series AL, ALFE, ALFM, ALBS, ALX)

They must be coupled to an actuation source using the following methods:

- series I, AL: coupling with pulley or flexible joint;
- series IFE, ALFE: coupling with pulley through direct current electromagnetic clutch;
NOTE: the designation of these components is of the type **IFE 25 - 12**, where the number 25 expresses the dimension of the pump and the number 12 expresses the supply voltage of the clutch; in the rest of the manual, indication of the supply voltage will be excluded from the designation;
- series IFM, ALFM: coupling with pulley through manual clutch;
- series BS, ALBS: direct coupling with a hydraulic motor;
- series X, ALX: coupling with low speed power take-off through speed-up gearbox.

2.1 - SPECIFICATIONS OF PUMPED LIQUID

WARNING The liquid to be pumped:

- **must have no hard suspended particles** (sand, gravel, etc.) which can cause rapid wear of internal parts. If the liquid to be pumped has this risk factor, install a suitable filter in the suction hose.
- **Must not be aggressive towards the materials with which it comes into contact**, i.e.:
 1) the material of which the pumping body is composed (CB754S brass or AISI 316 stainless steel)
 2) the material of which the shaft is composed (ref. 51 in the drawings), i.e. AISI 304 stainless steel (brass pumps) or AISI 316 (stainless steel pumps)
 3) the materials of which the gasket and the sealing device are manufactured
 4) (only for models with by-pass) acetatic resin.
- **Must have suitable viscosity**: the pump is not suitable for very viscous liquids (such as doughs); the maximum allowable viscosity depends on the power of the actuation source and on the speed.
- With **maximum density** depending on the power of the actuation source coupled to the pump, on the speed and on the head required.

- posizionare le cinghie e metterle in tensione tramite il dispositivo previsto in sede di progettazione;
- (solo serie IFE, ALFE) controllare che la sorgente di alimentazione elettrica fornisca la tensione indicata nella targa della pompa e che l'interruttore sia in posizione "SPENTO"; collegarvi i cavi elettrici della frizione elettromagnetica ponendo attenzione che non possano essere danneggiati da organi in movimento;

ATTENZIONE Una errata tensione di alimentazione può generare pericoli di natura elettrica e danneggiare la pompa.

- (solo serie IFM, ALFM) portare la leva di comando della frizione in posizione B (fig. 8); in tale posizione la puleggia è disconnessa dall'albero della pompa;

serie X, ALX

- svitare il tappo sfiatato (rif. 94 fig. 11) e riempire la scatola del moltiplicatore di olio tipo SAE 90 fino al livello indicato dal tappo spia livello (rif. 95 fig. 11);
- montare le strutture di protezione previste dal progettista;
- collegare l'albero scanalato della pompa (rif. 60 fig. 11) alla sorgente di movimento secondo le modalità previste dal progettista;

serie BS, ALBS

- inserire l'albero del motore idraulico nel giuntino (rif. 57 fig. 10);
- inserire il centraggio Ø80 del motore nella corrispondente sede presente nella flangia motore idraulico (rif. 58 fig. 10);
- collegare la pompa e il motore idraulico tramite 4 bulloni M8;
- inserire il gruppo nell'impianto idraulico.

4) Riempire il corpo pompa di liquido da pompare attraverso una delle bocche, evitando fuoriuscite che possono avvenire dalla stessa bocca oppure dall'altra. Sulle pareti interne del corpo pompante possono essere presenti tracce di sostanze lubrificanti (fluidi da taglio, grassi). Se queste sostanze possono inquinare il liquido da pompare (esempio: sostanze alimentari), il primo pompaggio deve essere effettuato eseguendo la procedura di detersione descritta al cap. 4.4.

5) Avvitare alle bocche i raccordi portagomma (rif.25/26), dopo essersi accertati della presenza delle guarnizioni nei raccordi stessi, secondo le indicazioni del progettista.

6) Preparare i due tubi per l'aspirazione e la mandata del liquido secondo le indicazioni del progettista; inserire le estremità delle tubazioni nei raccordi portagomma; assicurare il collegamento tramite fascette stringitubo; installare l'eventuale filtro nella tubazione di aspirazione; i tubi non devono esercitare forze eccessive sulla pompa. Evitare di curvare eccessivamente i tubi per non produrre strozzature. Inserire l'estremità libera del tubo di aspirazione nel recipiente da cui si vuole prelevare il liquido, ad una profondità di almeno 2 volte il diametro del tubo e alla stessa distanza minima dal fondo. Inserire l'estremità libera del tubo di mandata nel recipiente in cui si vuole inviare il liquido.

Il tubo di mandata deve essere fissato, senza schiacciarlo, per evitare che si sfili dal recipiente di raccolta all'avviamento o durante il funzionamento, bagnando o contaminando l'ambiente circostante.

4.3 - AVVIAMENTO DELLA POMPA

La pompa non deve essere avviata prima di avere completato l'installazione.

E' assolutamente vietato introdurre dita o altre parti del corpo attraverso le bocche: la pompa contiene parti in movimento.

In caso di impiego con liquidi pericolosi, indossare protezioni individuali scelte in base alle caratteristiche del liquido, per prevenire il rischio di contaminazione o contatto con parti esposte del corpo.

1) Per potere aspirare l'aria dal tubo di aspirazione e iniziare il pompaggio (adescamento) occorre che il corpo pompante sia pieno di liquido; l'operazione di riempimento è necessaria solo all'atto dell'installazione, poiché al termine di ogni pompaggio i tubi si possono svuotare per gravità, ma il corpo rimane sempre pieno.

Nel caso, invece, che la pompa sia stata svuotata occorre procedere al riempimento:

- accertarsi che la sorgente di movimento sia ferma e non possa avviarsi durante questa operazione
- svitare uno dei 2 raccordi portagomma
- riempire il corpo pompa di liquido evitando fuoriuscite
- riavvitare il raccordo portagomma.

ATTENZIONE Evitare il funzionamento con la pompa vuota.

2) (solo serie IFE, ALFE) commutare l'interruttore della sorgente di alimentazione elettrica della frizione in posizione "ACCESO"

- (solo serie IFM, ALFM) portare la leva di comando della frizione in posizione A (fig. 8)

Dopo qualche secondo necessario per l'adescamento la pompa comincia a travasare il liquido;

- (solo serie IFE, ALFE, IFM, ALFM) al primo pompaggio è necessario attaccare e staccare la frizione una decina di volte per far sì che essa si adatti e funzioni correttamente (rodaggio).

Se le connessioni dei tubi non sono state fatte correttamente, si possono verificare perdite o getti di liquido.

3) Arresto del pompaggio: fermare la sorgente di movimento, oppure:

- (solo serie IFE, ALFE) commutare l'interruttore dalla sorgente di alimentazione elettrica della frizione in posizione "SPENTO"
- (solo serie IFM, ALFM) portare la leva di comando della frizione in posizione B (fig. 8).

- Prendere una tenuta identica, separare cuffia e controfaccia, pulire con un panno morbido le piste lappate della parte rotante e della controfaccia, sgrassare l'alloggiamento nel corpo pompa e nell'albero, lubrificare le parti in gomma con acqua e sapone;
- Inserire la cuffia nella sede nel corpo pompa, poi la controfaccia.
- Inserire la parte rotante della tenuta facendo attenzione che le sue parti in gomma non si danneggino quando transitano su parti taglienti;
- Rimontare il sistema di fissaggio della parte rotante della tenuta; per i sistemi dotati di viti, serrarle in modo che la lunghezza della parte rotante sia compresa fra 13 e 14 mm.

9 - RICERCA GUASTI

 Questo capitolo è ad uso esclusivo di tecnici qualificati ed esperti nella manutenzione, che operino nel rispetto delle norme di sicurezza. In particolare, durante un intervento, la sorgente di movimento deve essere ferma e un suo avviamento deve essere reso impossibile.		
Difetto	Possibile causa	Rimedio
	(Solo serie IFE, ALFE, IFM, ALFM) la frizione è disinnestata	Innestare la frizione
	Altezza di aspirazione eccessiva	Controllare l'altezza di aspirazione
	L'estremità del tubo di aspirazione non è posizionata correttamente	Vedere cap. 4.2
	La pompa non è piena di liquido	Riempire la pompa di liquido
	Infiltrazioni d'aria	Controllare tubazioni, serraggio fascette stringitubo, serraggio raccordi, guarnizioni dei raccordi
	Guarnizioni/tenuta deteriorati	Sostituire guarnizioni/tenuta
	Pompa usurata	Inviare ad un centro assistenza TELLARINI POMPE
	Verso di pompaggio errato	Invertire il collegamento dei tubi alle bocche oppure invertire il verso di rotazione
	Velocità di rotazione bassa	Controllare velocità di rotazione
	(Solo serie I, AL, IFE, ALFE, IFM, ALFM) le cinghie slittano	Verificare l'intero sistema di trasmissione a cinghie
	(Solo serie IFE, ALFE, IFM, ALFM) la frizione slitta a causa di sporczia	Pulire la frizione
	(Solo serie IFE, ALFE) La frizione slitta a causa di alimentazione errata	Verificare l'alimentazione elettrica
	Infiltrazioni d'aria o perdite di liquido	Controllare tubazioni, serraggio fascette stringitubo, serraggio raccordi, guarnizioni dei raccordi
	Tubazioni o eventuale filtro ostruiti	Pulire tubazioni o filtro
	Prevalenza di lavoro troppo alta	Controllare la prevalenza
	Pompa intasata	Smontare e pulire la pompa, rimontare
	Pompa usurata	Inviare ad un centro assistenza TELLARINI POMPE
	La pompa ha aspirato corpi estranei	Smontare la pompa, controllare e pulire, rimontare
	Rottura della girante	Smontare e pulire la pompa, sostituire la girante, rimontare
	Grippaggio della girante	Smontare, eliminare grippature, rimontare
	Cuscinetto guasto	Sostituire cuscinetto
	Raccordi o fascette non serrati	Serrare raccordi o fascette
	Guarnizioni o tenuta deteriorati	Sostituire guarnizioni o tenuta
	Mancanza di olio lubrificante	Eseguire rabbocco con olio SAE 90 fino a livello
La pompa perde liquido		
(Serie X, ALX) Moltiplicatore rumoroso		

ATTENZIONE
La pompa anche dopo lo spegnimento resta piena di liquido; se esiste la possibilità che la temperatura esterna si abbassi sotto il punto di congelamento del liquido, svuotare la pompa dopo l'uso per evitare la rottura del corpo pompante.

4.4 LAVAGGIO

 Prima di smontare le tubazioni scaricare l'eventuale pressione presente all'interno della pompa. Se la temperatura delle superfici accessibili è eccessiva (vedere cap. 5.1), prima di manipolare la pompa farla raffreddare o utilizzare guanti idonei.

Se la pompa viene utilizzata per sostanze pericolose, la definizione delle procedure di manipolazione, lavaggio, magazzino e smaltimento dei fluidi di scarto è a carico dell'utilizzatore, che dovrà osservare le norme di sicurezza valide per i particolari sostanze trattate.

Se il liquido pompato non presenta particolari problematiche (ad esempio se si tratta di acqua, acqua di mare, sapone), in caso di interruzione prolungata dell'uso, lavare le pareti interne della pompa pompando acqua pulita, svuotarla completamente, asciugare le superfici esterne con un panno morbido.

Procedura di detersione

Permette di ottenere una pulizia più profonda della procedura descritta precedentemente e può essere utilizzata in molti casi. In impieghi alimentari viene utilizzata all'atto dell'installazione e come parte del ciclo di lavaggio.

- Preparare un recipiente di soluzione detergente (es. comune detersivo per piatti diluito con acqua, pulita calda a 40-50° C).

- Inserire i tubi di aspirazione e mandata della pompa nel recipiente e fare ricircolare il liquido per 5 minuti.

- Pompare acqua pulita fino al completo risciacquo.

Impiego con sostanze alimentari poco deperibili (olio vegetale, vino, aceto)

Prima e dopo l'uso:

- eseguire la procedura di detersione;

- tramite la pompa fare ricircolare un'adatta soluzione sanificante e disinfettante (per esempio a base di acido peracetico) per un tempo sufficiente;

- sciacquare l'interno del corpo pompa, pompando acqua pulita fino all'eliminazione completa della soluzione sanificante e disinfettante.

- Prima dell'uso eseguire la procedura di avvinamento scartando una prima frazione di liquido. Smaltire il fluido utilizzato per il lavaggio e lo scarto di avvinamento nel rispetto delle vigenti disposizioni di legge.

- Nel caso particolare di impiego con oli vegetali, se si intende non utilizzare la pompa per poco tempo e, successivamente, impiegarla per lo stesso tipo di olio, è possibile semplicemente svuotarla e tappare le bocche.

Impiego con sostanze alimentari rapidamente deperibili (come il latte)

Effettuare il lavaggio prima dell'uso, ad ogni intervallo di tempo previsto dal protocollo HACCP applicato e dopo l'uso, smontando la pompa, detergendo e disinfettando le sue parti con modalità dipendenti dal tipo di liquido. Questa operazione deve essere eseguita da personale qualificato ed esperto nelle procedure di smontaggio e rimontaggio della pompa.

4.5 USO DEL BY-PASS (dispositivo opzionale)

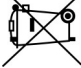
Il by-pass è un dispositivo di regolazione della portata e prevalenza della pompa e si presenta esternamente come una manopola; ruotandola in senso antiorario è possibile ridurre la portata massima fino a circa metà e la prevalenza massima fino a circa 1/4. Durante la fase di adescamento chiudere il by-pass ruotando completamente la manopola in senso orario poiché il by-pass aperto riduce fortemente la capacità di adescamento.

 Nel caso si disponga del by-pass valutare il rischio residuo che comporta il doverlo azionare con la pompa in movimento e prevedere schermi di protezione se necessario.

4.6 – DEMOLIZIONE


A fine vita, la pompa deve essere demolita, rispettando rigorosamente le norme in vigore nel proprio paese. Non trascurare il residuo di liquido eventualmente presente all'interno del corpo pompante.

Solo per le serie IFE e ALFE nei paesi UE:

 La pompa appartiene alla categoria delle apparecchiature elettriche ed elettroniche (AEE). Il simbolo a fianco significa che essa non può essere smaltita come rifiuto domestico. A fine vita il proprietario deve consegnare la pompa ad un punto di raccolta di AEE, da cui verrà destinata al riciclaggio. Per maggiori informazioni, contattare l'ufficio competente del proprio ente locale o il negozio in cui la pompa è stata acquistata.

5 – INFORMAZIONI SU ULTERIORI RISCHI

5.1 - TEMPERATURA DELLE SUPERFICI ACCESSIBILI

 Le superfici esterne del corpo pompante raggiungono la temperatura del liquido pompato, quindi possono essere molto calde o molto fredde. Nel caso queste temperature rappresentino un pericolo, l'utilizzatore deve adottare misure di protezione adeguate (confinare la pompa tramite barriere, maneggiare utilizzando guanti idonei).

5.2 - RISCHI DOVUTI A PROIEZIONE E SPANDIMENTO DI FLUIDI

Possono accadere spandimenti o getti indesiderati di liquido. Ciò può avvenire, ad esempio, nei seguenti casi:

- procedura di installazione male eseguita;
- deterioramento delle tubazioni ;
- deterioramento del dispositivo di tenuta (con conseguente proiezione di liquido dallo spazio fra la flangia e il corpo pompa) o delle altre guarnizioni (O-ring o guarnizione controflangia);

- corrosione del corpo pompa;

- errato montaggio in seguito a manutenzione;

- pompaggio di liquidi freddi, con formazione di condensa di vapore acqueo sulla superficie esterna del corpo pompante e conseguente gocciolio.

Questi eventi causano un'ambiente bagnato (con rischio elettrico, rischio di scivolare, etc.) e il rischio che persone, animali o cose siano colpiti da getti di liquido. In particolare occorre la massima cautela se si pompano liquidi infiammabili, corrosivi, ad alta temperatura o comunque pericolosi per esseri viventi o per l'ambiente. L'utilizzatore deve valutare questi rischi e predisporre eventualmente idonee misure di protezione dai getti di liquido (ad esempio schermi) e vasche di raccolta in posizione opportuna. Le perdite devono essere asportate e smaltite correttamente e in sicurezza.

6 - ATTESTAZIONE

La Ditta TELLARINI POMPE s.n.c di G. Tellarini & C., con sede in via Majorana, 4 - Lugo (RA) - Italia, classifica le pompe autodescanti a canale laterale tipo:

I 20	AL 20	BS 30	ALBS 40	X 40	ALX 40	IFE 25	ALFE 25	IFM 25	ALFM 25
I 25	AL 25	BS 40	ALBS 50	X 50	ALX 50	IFE 30	ALFE 40	IFM 30	ALFM 40
I 30	AL 40	BS 50				IFE 40	ALFE 50	IFM 40	ALFM 50
I 35	AL 50					IFE 50		IFM 50	
I 40									
I 50									

come "componenti", in quanto non possiedono una destinazione d'uso specifica. Non rientrano pertanto nel campo di applicazione della Direttiva Macchine 2006/42/CE. L'utilizzatore che, impiegando tali componenti, costituisce una macchina o quasi-macchina, deve soddisfare i requisiti di sicurezza previsti dalla Direttiva Macchine 2006/42/CE.

Lugo, 30/08/2012

Il rappresentante legale
Tellarini Giovanni



7 - GARANZIA

La pompa è coperta da garanzia per un periodo di **due anni** dalla data di acquisto da parte dell'utilizzatore finale. In assenza di documentazione comprovante la data, il periodo decorre dal 1° luglio dell'anno di produzione, riportato in targa. La garanzia scade comunque dopo 3 anni a decorrere dal 1° luglio dell'anno di produzione.

La garanzia copre tutti i difetti di produzione e dei materiali accertati dal costruttore e consiste nella riparazione o sostituzione gratuita della pompa ad opera dello stesso. Un intervento eseguito in garanzia non modifica la sua data di scadenza.

La garanzia non copre danni dovuti ad usi impropri, a difetti dell'alimentazione elettrica, all'uso non conforme alle indicazioni contenute nel "manuale d'uso e manutenzione". Non copre altresì danneggiamenti o manomissioni attuati dall'utilizzatore, interventi di manutenzione male eseguiti (eventualmente con impiego di ricambi non originali) e l'usura legata al normale impiego (in particolare di tenute e cuscinetti).

8 - NOTE PER IL MANUTENTORE



I seguenti capitoli 8.1, 8.2, 8.2.1, 8.2.2, 8.2.3 sono ad uso esclusivo di tecnici qualificati ed esperti nella manutenzione, che operino nel rispetto delle norme di sicurezza. In particolare, durante un intervento, la sorgente di movimento deve essere ferma e un suo avviamento deve essere reso impossibile.

8.1 - SMONTAGGIO DELLA PARTE IDRAULICA



Prima dello smontaggio scaricare l'eventuale pressione presente all'interno della pompa, farla raffreddare, svuotarla e smaltire opportunamente il liquido contenuto; se la pompa viene utilizzata per sostanze pericolose si dovranno osservare le norme di sicurezza valide per la manipolazione di tali sostanze.

I riferimenti nel seguito vanno ricercati nelle figure presenti all'inizio del manuale in base alle indicazioni nel paragrafo 3.2.

- Svitare le viti del coperchio (rif. 11).

- Rimuovere il coperchio.

- Rimuovere la guarnizione O-Ring (rif. 12).

- Estrarre la girante (rif. 13) con le seguenti modalità:

modelli in ottone tipo 20-25-30-35-40: la girante è scorrevole sull'albero (rif. 51), può essere estratta semplicemente con le dita; **modelli tipo 50 in ottone e tutti i modelli inox (fig. 6):** la girante è forzata sull'albero; per estrarla utilizzare un estrattore con le griffe opportunamente sagomate; nel mozzo della girante sono presenti due sporgenze a questo scopo; nel caso dei modelli inox tipo 20 utilizzare per l'estrazione le due sporgenze presenti lateralmente sul corpo pompa.

- Rimuovere la linguetta (rif. 15)

- Sfilare il corpo pompa (rif. 10) dall'albero.

- (Solo per modelli in ottone tipo 20) sfilare la controflangia (rif. 5) dal corpo pompa e rimuovere la guarnizione (rif. 8).

8.2 - MONTAGGIO DELLA PARTE IDRAULICA

(Per i modelli in ottone tipo 20, prima inserire la controflangia rif. 5 e posizionare la guarnizione rif. 8);

- Inserire la linguetta (rif. 15) nella sua sede

- Inserire il corpo pompa (rif. 10) lungo l'albero (rif. 51)

- Posizionare la guarnizione O-Ring (rif. 12) nella sua sede sul corpo pompa

Modelli a girante scorrevole

- Inserire la girante (rif. 13) nell'albero con le dita.

- Posizionare il coperchio (rif. 11) e stringere le viti avvitando gradualmente e alternativamente coppie di viti opposte.

Modelli a girante forzata

L'inserimento va effettuato utilizzando una barretta forata di diametro interno poco superiore a quello dell'albero.

- Per evitare di danneggiare i cuscinetti appoggiare il retro dell'albero su una superficie di metallo tenero.

- Colpendo la girante (rif. 13) in posizione centrale tramite la barretta forata e un martello accostarla alla superficie di rasamento.

- Montare il coperchio (rif. 11) e stringere le viti avvitando gradualmente e alternativamente coppie di viti opposte.

- Colpire il retro dell'albero tramite un punzone e il martello.

- Verificare che la girante ruoti liberamente.

8.2.1 - SOSTITUZIONE TENUTA A LABBRO (modelli ottone tipo 20 e 50)

I riferimenti sottostanti si riconducono alle figure 1a, 1b

- Estrarre la tenuta a labbro usurata (rif. 67d) dalla sua sede (situata nella controflangia rif. 5 per i modelli tipo 20 e nel corpo pompa rif. 10 per i modelli tipo 50) colpendola tramite un tronchetto tondo di dimensioni opportune come illustrato nelle fig. 18 (tipo 20) o fig. 20 (tipo 50).

- Prendere una tenuta a labbro nuova identica e appoggiarla all'imboccatura della sua sede come visibile in fig. 19 (tipo 20) o fig. 21 (tipo 50) con il giusto orientamento (la molla deve essere rivolta verso l'interno della pompa).

- Inserire la tenuta a labbro nella sua sede colpendola tramite un tronchetto tondo di diametro di poco inferiore a quello esterno della tenuta a labbro fino ad inserimento completato.

8.2.2 - SOSTITUZIONE TENUTA A LABBRO (modelli ottone tipo 25-30-35-40)

Il corpo della pompa è realizzato in due pezzi: Corpo pompa (rif. 10) e Parte interna posteriore (rif. 65), la quale viene inserita nel Corpo pompa (in fig. 1a sono visibili le due parti smontate, in fig. 12 dopo il montaggio). Per sostituire la tenuta a labbro (rif. 67d) è necessario estrarre la parte interna posteriore dal corpo pompa.

- Appoggiare il bordo del corpo pompa su due appoggi di materiale tenero (es. legno o alluminio) oppure di qualsiasi materiale purché si interpongano due pezzetti di carta (fig. 12).

- Prendere un tronchetto tondo (con diametro 28-29 mm e lunghezza maggiore di 60 mm) e colpire la tenuta a labbro fino a sfilarla dalla sua sede (fig. 13).

- Appoggiare la tenuta a labbro al bordo della parte interna posteriore e colpire di nuovo con il tronchetto e il martello; la parte interna verrà estratta assieme alla tenuta a labbro (fig. 14).

- (Fig. 15) appoggiare il corpo pompa su un piano, prendere una tenuta a labbro nuova identica, appoggiarla all'imboccatura della sua sede con la giusta orientazione (la molla deve essere rivolta verso l'interno della pompa) e inserirla colpendola tramite un tronchetto tondo di diametro di poco inferiore a quello esterno della tenuta fino a inserimento completato.

- Appoggiare la parte interna posteriore sul corpo con il giusto orientamento (fig. 16).

- Inserire la parte interna nel corpo tramite un tronchetto tondo di dimensioni opportune (fig. 17).

8.2.3 - SOSTITUZIONE TENUTA MECCANICA

- Eseguire la procedura di smontaggio senza sfilare il corpo pompa; per i modelli tipo 20 togliere anche il corpo (rif. 10), sfilandolo dalla controflangia (rif. 5).

- Rimuovere il sistema di fissaggio della parte rotante della tenuta meccanica (può appartenere ad uno dei tipi in fig. 4).

- Sfilare la parte rotante tenuta (rif. 67A fig. 3a) , la controfaccia (rif. 67B) e la cuffia (rif. 67C).