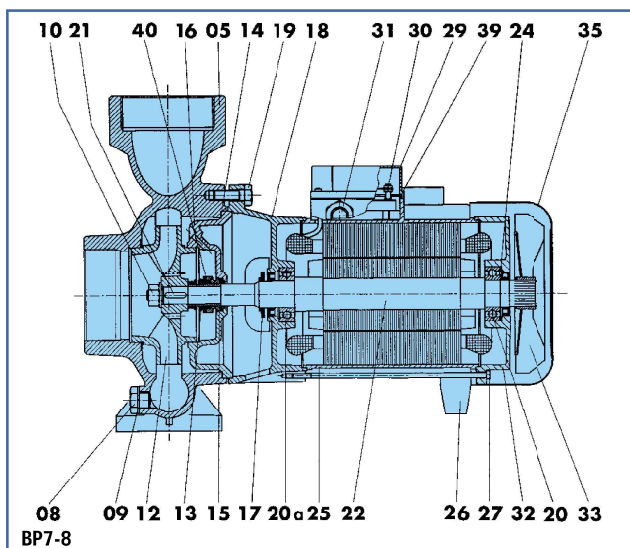
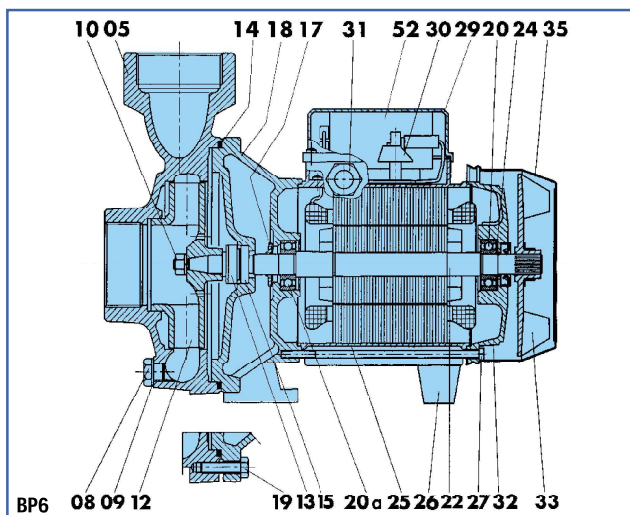
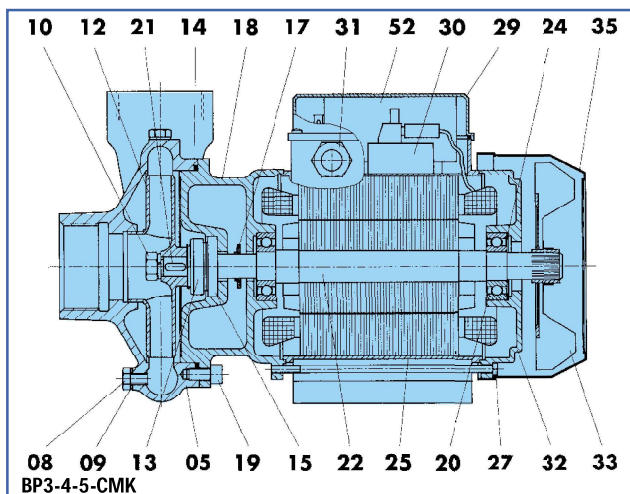


BP-CMK

BP3-4-5-CMK-BP6-7-8



COMPONENTE	MATERIALI	
	STANDARD	A RICHIESTA
05 Corpo pompa	Ghisa G20	Ghisa G20 Bronzo G-CuSn10 (per BP7-8)
08 Tappo	Ottone	Ottone
09 Guarnizione	Alluminio	Alluminio
10 Dado	Ottone	Acciaio inox, AISI 304
12 Girante	Ghisa G20	Bronzo G-CuSn10
13 Parte rotante tenuta meccanica	Ottone (per BP3-4-5-6)	Ottone (per BP3-4-5-6)
14 Anello OR	Grafite	Carburo di tungsteno
15 Parte fissa tenuta meccanica	Gomma NBR	Gomma EPDM
16 Disco porta tenuta	Ceramica	Carburo di tungsteno
17 Disco porta tenuta	Ghisa G20	Bronzo G-CuSn10
17 Paragoccia	Gomma	Gomma
18 Supporto	Ghisa G20	Ghisa G20
19 Vite	Acciaio zincato	Acciaio zincato
20 Cuscinetto	Commerciale	Commerciale
20a Cuscinetto	Commerciale	Commerciale
21 Linguetta	Acciaio inox, AISI 304	Acciaio inox, AISI 304
22 Albero rotante	Acciaio inox, AISI 420B (BP3-4-5-CMK) Acciaio inox, AISI 431 (BP6-7-8)	Acciaio inox, AISI 431 Acciaio inox, AISI 420B (BP3-4-5-CMK)
24 Anello elastico	Gomma	Acciaio
25 Carcasa statore avvolto	Acciaio	Acciaio
26 Piede	Alluminio	Alluminio
26 Piede	Resina termoplastica	Resina termoplastica
27 Tirante	Resina termoplastica	Resina termoplastica
29 Coperchio morsettieria	Acciaio zincato	Acciaio zincato
30 Morsettieria	Resina termoplastica	Resina termoplastica
31 Pressacavo	Resina termoplastica	Resina termoplastica
32 Calotta motore	Resina termoplastica	Resina termoplastica
32 Calotta motore	Alluminio	Alluminio
33 Ventola	Resina termoplastica	Resina termoplastica
35 Copriventola	Resina termoplastica	Resina termoplastica
39 Guarnizione morsettieria	Acciaio	Acciaio
40 Bussola	Gomma NBR	Gomma NBR
52 Condensatore	Acciaio inox, AISI 316	Acciaio inox, AISI 316
	Commerciale	Commerciale

NOMENCLATURA PARTI DI RICAMBIO

SPARE PARTS LIST

NOMENCLATURA REPUESTOS

NOMENCLATURE PIECES DE RECHANGE

ERSATZTEILLISTE



COMPONENT		MATERIAL	
		STANDARD	ON REQUEST
05	Pump body	Cast iron G20	Cast iron G20 Bronze G-CuSn10 (per BP7-8)
08	Plug	Brass	Brass
09	Gasket	Aluminium	Aluminium
10	Nut	Brass	Stainless steel, AISI 304
12	Impeller	Cast iron G20 Brass (for BP3-4-5-6)	Bronze G-CuSn10 Brass (for BP3-4-5-6)
13	Rotating mechanical seal	Graphite	Tungsten carbide
14	O-Ring	Rubber NBR	Rubber EPDM
15	Fixed mechanical seal	Ceramic	Tungsten carbide
16	Seal holding disc	Cast iron G20	Bronze G-CuSn10
17	Drop guard	Rubber	Rubber
18	Support	Cast iron G20	Cast iron G20
19	Screw	Galvanized steel	Galvanized steel
20	Bearing	Commercial	Commercial
20a	Bearing	Commercial	Commercial
21	Key	Stainless steel, AISI 304	Stainless steel, AISI 304
22	Rotating shaft	Stainless steel, AISI 420B (BP3-4-5-CMK) Stainless steel, AISI 431 (BP6-7-8)	Stainless steel, AISI 431 Stainless steel, AISI 420B (BP3-4-5-CMK)
24	Circlip	Steel	Steel
25	Casing with wound stator	Aluminium	Aluminium
26	Foot	Thermoplastic resin	Thermoplastic resin
27	Tie-rod	Galvanized steel	Galvanized steel
29	Terminal board cover	Thermoplastic resin	Thermoplastic resin
30	Terminal board	Thermosetting resin	Thermosetting resin
31	Fairlead	Thermoplastic resin	Thermoplastic resin
32	Driving cap	Aluminium	Aluminium
33	Fan	Thermoplastic resin	Thermoplastic resin
35	Fan cover	Steel	Steel
39	Terminal board gasket	Rubber NBR	Rubber NBR
40	Bushing	Stainless steel, AISI 316	Stainless steel, AISI 316
52	Capacitor	Commercial	Commercial



COMPONENTE		MATERIAL	
		ESTÁNDAR	PETICIÓN
05	Cuerpo de bomba	Fundición gris G20	Fundición gris G20 Bronze G-CuSn10 (para BP7-8)
08	Tapon	Latón	Latón
09	Empaquetadura	Aluminio	Aluminio
10	Tuerca	Latón	Acero inox, AISI 304
12	Impulsor	Fundición gris G20 Latón (para BP3-4-5-6)	Bronze G-CuSn10 Latón (para BP3-4-5-6)
13	Cierre mecanico parte girante	Grafito	Carburo de tungsteno
14	Anillo OR	Goma NBR	Goma EPDM
15	Cierre mecanico parte fija	Ceramica	Carburo de tungsteno
16	Anillo intermedio	Fundición gris G20	Bronze G-CuSn10
17	Paragotas	Goma	Goma
18	Soporte	Fundición gris G20	Fundición gris G20
19	Tornillo	Acero cincado	Acero cincado
20	Cojinete	Comercial	Comercial
20a	Cojinete	Comercial	Comercial
21	Chaveta	Acero inox, AISI 304	Acero inox, AISI 304
22	Eje rotatorio	Acero inox, AISI 420B (BP3-4-5-CMK) Acero inox, AISI 431 (BP6-7-8)	Acero inox, AISI 431 Acero inox, AISI 420B (BP3-4-5-CMK)
24	Anillo elastico	Acero	Acero
25	Carcasa estator envuelto	Aluminio	Aluminio
26	Pie	Resina termoplastica	Resina termoplastica
27	Tirante	Acero cincado	Acero cincado
29	Tapa de bornes	Resina termoplastica	Resina termoplastica
30	Bornes	Resina de endurecimiento termico	Resina de endurecimiento termico
31	Guia	Resina termoplastica	Resina termoplastica
32	Tapa motor	Aluminio	Aluminio
33	Ventilador	Resina termoplastica	Resina termoplastica
35	Tapa ventilador	Acero	Acero
39	Empaquetadura bornes	Goma NBR	Goma NBR
40	Casquillo	Acero inox, AISI 316	Acero inox, AISI 316
52	Condensador	Comercial	Comercial